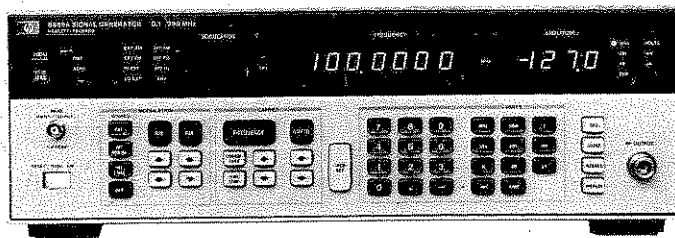


# 8656A

## SIGNAL GENERATOR

0.1—990 MHz

Valuelec International, Inc.  
14700 15th St  
MASTERS COPY



 **HEWLETT  
PACKARD**

**8656A**  
**SIGNAL GENERATOR**  
**0.1 — 990 MHz**  
**(Including Options 001 and 002)**

**SERIAL NUMBERS**

This manual applies directly to instruments with serial numbers prefixed 2035A.

With changes described in Section VII, this manual also applies to instruments with serial numbers prefixed 2032A, 2027A, 2026A, 2025A, 2024A, 2023A, 2022A, 2018A, 2014A, and 2009A.

For additional important information about serial numbers, see INSTRUMENTS COVERED BY MANUAL in Section I.

Valuetronics International, Inc.  
1-800-552-8258  
**MASTER COPY**



© Copyright HEWLETT-PACKARD COMPANY 1980, 1981  
1501 PAGE MILL ROAD, PALO ALTO, CALIFORNIA, U.S.A.

OPERATING AND SERVICE MANUAL PART NUMBER 08656-90107

Operating Manual Part No. 08656-90108

Microfiche Operating and Service Manual Part No. 08656-90109

Printed: May 1981

## SAFETY CONSIDERATIONS

**GENERAL** — This is a Safety Class I instrument (provided with terminal for protective earthing).

**OPERATION** — **BEFORE APPLYING POWER** verify that the power transformer primary is matched to the available line voltage, the correct fuse is installed, and Safety Precautions are taken (see the following warnings). In addition, note the instrument's external markings which are described under "Safety Symbols."

### WARNINGS

Servicing instructions are for use by qualified personnel only. To avoid dangerous electric shock, do not perform any servicing unless qualified to do so.

**BEFORE SWITCHING ON THE INSTRUMENT**, the protective earth terminal of the instrument must be connected to the protective conductor of the (mains) power cord. The mains plug shall only be inserted in a socket outlet provided with a protective earth contact. The protective action must not be negated by the use of an extension cord (power cable) without a protective conductor (grounding). Grounding one conductor of a two conductor outlet is not sufficient protection.

If this instrument is to be energized via an auto-transformer (for voltage reduction) make sure the common terminal is connected to the earth terminal of the power source.

Any interruption of the protective (grounding) conductor (inside or outside the instrument) or disconnecting the protective earth terminal is likely to make this instrument dangerous. Intentional interruption is prohibited.

Whenever it is likely that the protection has been impaired, the instrument must be made inoperative and be secured against any unintended operation.

Make sure that only fuses with the required rated current and of the specified type (normal blow, time delay, etc.) are used for replacement. The use of repaired fuses and the short-circuiting of fuseholders must be avoided.

Adjustments described in the manual are performed with power supplied to the instrument while protective covers are removed.

Any adjustment, maintenance, and repair of the opened instrument under voltage should be avoided as much as possible, and when inevitable, should be carried out only by a skilled person who is aware of the hazard involved.

Capacitors inside the instrument may still be charged even if the instrument has been disconnected from its source of supply.

### SAFETY SYMBOLS



Instruction manual symbol: the apparatus will be marked with this symbol when it is necessary for the user to refer to the instruction manual in order to protect the apparatus against damage.



Indicates dangerous voltages.



Earth terminal (sometimes used in manual to indicate circuit common connected to grounded chassis).

### WARNING

The **WARNING** sign denotes a hazard. It calls attention to a procedure, practice, or the like, which, if not correctly performed or adhered to, could result in injury or loss of life. Do not proceed beyond a **WARNING** sign until the indicated conditions are fully understood and met.

### CAUTION

The **CAUTION** sign denotes a hazard. It calls attention to an operating procedure, practice, or the like, which, if not correctly performed or adhered to, could result in damage to or destruction of part or all of the equipment. Do not proceed beyond a **CAUTION** sign until the indicated conditions are fully understood and met.

# CONTENTS

	Page		Page
<b>Section I</b>			
<b>GENERAL INFORMATION</b>			
Introduction .....	1-1	Local Operation .....	3-1
Specifications .....	1-1	Simplified Front Panel Features .....	3-1
Safety Considerations .....	1-1	Simplified Operation .....	3-1
Instruments Covered by this Manual .....	1-1	General Operating Instructions .....	3-1
Description .....	1-2	Detailed Panel Features .....	3-1
Carrier Frequency .....	1-2	Detailed Operating Instructions .....	3-1
Output Amplitude .....	1-2	Remote Operation .....	3-1
Modulation Capabilities .....	1-2	Operator's Checks .....	3-1
Options .....	1-2	Basic Functional Checks .....	3-1
Electrical Options .....	1-3	HP-IB Functional Checks .....	3-1
Mechanical Options .....	1-3	Operator's Maintenance .....	3-1
Rear Panel Inputs and Outputs Option 002 .....	1-3	General Operating Instructions .....	3-1
Front Handle Kit Option 907 .....	1-3	Power-On Procedure .....	3-1
Rack Flange Kit Option 908 .....	1-3	Power-On Sequence .....	3-1
Rack Flange and Front Handle Combination		Keystroke Sequences .....	3-1
Kit Option 909 .....	1-3	Carrier Keystroke Sequence .....	3-1
Hewlett-Packard Interface Bus .....	1-3	Modulation Keystroke Sequence .....	3-4
Compatibility .....	1-3	Store-Recall-Display Keystroke Sequence .....	3-4
Selecting the HP-IB Address .....	1-3	Time Base Selection .....	3-4
Accessories Supplied .....	1-3	Operator's Maintenance .....	3-4
Recommended Test Equipment .....	1-3	Detailed Panel Features .....	3-4
		Operator's Checks .....	3-13
		Basic Functional Checks .....	3-13
		HP-IB Functional Checks .....	3-17
		Remote Operation, Hewlett-	
		Packard Interface Bus .....	3-23
		HP-IB Compatibility .....	3-23
		Remote Operation .....	3-23
		Remote Capability .....	3-23
		Local-to-Remote Change .....	3-23
		Local Operation .....	3-23
		Local Capability .....	3-23
		Remote-to-Local Change .....	3-23
		Local Lockout .....	3-23
		Addressing .....	3-25
		Data Messages .....	3-25
		Receiving the Data Message .....	3-25
		Data Message Input Format .....	3-25
		Keyboard-to-Program Code Correlation .....	3-26
		Value-Selectable Parameters .....	3-26
		Data .....	3-26
		Sending the Data Message .....	3-27
		Receiving the Trigger Message .....	3-27
		Receiving the Clear Message .....	3-27
		Receiving the Remote Message .....	3-27
		Receiving the Local Message .....	3-27
		Receiving the Local Lockout Message .....	3-27
		Receiving the Clear Lockout/Set	
		Local Message .....	3-28
		Receiving the Pass Control Message .....	3-28
		Sending the Require Service Message .....	3-28
		Sending the Status Byte Message .....	3-28
<b>Section II</b>			
<b>INSTALLATION</b>			
Introduction .....	2-1		
Initial Inspection .....	2-1		
Preparation for Use .....	2-1		
Power Requirements .....	2-1		
Line Voltage and Fuse Selection .....	2-1		
Power Cables .....	2-2		
Time Base Selection .....	2-2		
HP-IB Address Selection .....	2-3		
Interconnection .....	2-4		
Mating Connectors .....	2-4		
Coaxial Connectors .....	2-4		
Interface Connector .....	2-4		
Operating Environment .....	2-4		
Bench Operation .....	2-4		
Rack Mounting .....	2-4		
Storage and Shipment .....	2-7		
Environment .....	2-7		
Packaging .....	2-7		
Original Packaging .....	2-7		
Other Packaging .....	2-7		
<b>Section III</b>			
<b>OPERATION</b>			
Introduction .....	3-1		
Operating Characteristics .....	3-1		

**CONTENTS (Cont'd)**


	Page
Sending the Status Bit Message .....	3-28
Receiving the Abort Message .....	3-28
Switching Characteristics .....	3-28
Frequency Switching .....	3-29
Amplitude Switching .....	3-31
Modulation Switching .....	3-31
Detailed Operating Instructions .....	3-32
Amplitude .....	3-32
Amplitude Conversion .....	3-34
Amplitude, Up/Down .....	3-36
Display .....	3-37
Display Sequence .....	3-38
Frequency .....	3-39
Frequency, Coarse and Fine Tune .....	3-41
Frequency, Up/Down .....	3-43
HP-IB Address Display .....	3-44
Increment Value Change .....	3-46
Increment Value Display .....	3-48
Modulation, AM .....	3-49
Modulation, AM Up/Down .....	3-50
Modulation, External Source .....	3-51
Modulation, FM .....	3-52
Modulation, FM Up/Down .....	3-54
Modulation, Mixed .....	3-55
Modulation, OFF .....	3-59
Recall .....	3-61
Sequence .....	3-62
Store .....	3-63

**Section IV  
PERFORMANCE TESTS**

Introduction .....	4-1
Equipment Required .....	4-1
Performance Test Record .....	4-1
Calibration Cycle .....	4-1
Abbreviated Performance Testing .....	4-1
Test Procedures .....	4-1
Spectral Purity Tests .....	4-3
High Level Accuracy and Flatness Tests .....	4-8
Low Level Accuracy Tests .....	4-11
Modulation Tests .....	4-13
Output Leakage Tests .....	4-21

**Section V  
ADJUSTMENTS**

Introduction .....	5-1
Safety Considerations .....	5-1
Equipment Required .....	5-1
Factory-Selected Components .....	5-1
Post-Repair Adjustments .....	5-2
Related Adjustments .....	5-2
Power Supply Voltage Adjustment .....	5-3

	Page
Reference Voltage Adjustment .....	5-4
Audio Oscillator Level Adjustment .....	5-5
AM Offset Adjustment .....	5-6
715 MHz Sideband Adjustment .....	5-7
Notch Filter Adjustments .....	5-8
High Frequency Loop Offset Adjustment .....	5-11
50 MHz Reference Oscillator Frequency Adjustment .....	5-13
50 MHz Reference Oscillator Level Adjustment .....	5-14
60 to 110 MHz Oscillator Flatness Adjustment .....	5-15
690 to 740 MHz IF Compensation Adjustment .....	5-16
400 MHz Bandpass Filter Adjustment .....	5-17
Level and ALC Loop Detector Adjustments .....	5-18
Heterodyne Band Accuracy and Flatness Adjustments .....	5-20
AM% and ALC Loop AM Adjustment .....	5-22
FM Deviation Adjustment .....	5-24
FM Frequency Response Adjustment .....	5-25
Attenuator Adjustments .....	5-26
 Option 001 10 MHz Reference Oscillator Frequency Adjustment .....	5-29

**Section VI  
REPLACEABLE PARTS**

Introduction .....	6-1
Abbreviations .....	6-1
Replaceable Parts List .....	6-1
Factory Selected Parts (*) .....	6-1
Parts List Backdating (†) .....	6-1
Parts List Updating (Change Sheet) .....	6-1
Illustrated Parts Breakdowns .....	6-1
Ordering Information .....	6-1
Recommended Spares List .....	6-2

**Section VII  
MANUAL CHANGES**

Introduction .....	7-1
Manual Changes .....	7-1
Manual Change Instructions .....	7-3
Instrument Improvement Modifications .....	7-10
Improving Power Supply Reliability .....	7-10
Decreasing Spurious Signal Output .....	7-10
Improving Low Level Accuracy .....	7-10
Improving RF Frequency Response .....	7-11
Loss of Signal Generator Control by the Keyboard .....	7-11

**Section VIII  
SERVICE**

Introduction .....	8-1
--------------------	-----

## CONTENTS (Cont'd)

	Page		Page
Service Sheets .....	8-1	Fan Shroud Removal .....	8-8
Block Diagrams .....	8-1	Replacement of Key Cap and Pushbutton	
Circuit Schematic Diagrams .....	8-1	Switches .....	8-8
Safety Considerations .....	8-1	Key Cap Replacement .....	8-8
Before Applying Power .....	8-1	Switch Replacement .....	8-8
Warnings and Cautions .....	8-1	Factory-Selected Components(*) .....	8-10
Recommended Test Equipment and		Manual Backdating (†) .....	8-10
Accessories .....	8-2	Manual Updating (Manual Changes	
Service Tools, Aids and Information .....	8-2	Supplement) .....	8-10
Service Tools .....	8-2	Etched Circuits (Printed Circuit Boards) .....	8-10
Poizidriv Screwdrivers .....	8-2	MOS and CMOS Integrated Circuit	
Tuning Tools .....	8-2	Replacement .....	8-10
Heat Staking Tool .....	8-2	Retrofitting Option 001 .....	8-10
Assembly Locations .....	8-3	Schematic Symbology and Operating	
Parts and Cable Locations .....	8-3	Principles .....	8-10
Test Points and Adjustment Locations .....	8-3	Schematic Diagram Notes .....	8-10
Service Aids on Printed Circuit Boards .....	8-3	Basic Logic Symbology .....	8-10
Other Service Documents .....	8-3	Gates and Qualifiers .....	8-11
Troubleshooting .....	8-3	Indicator Symbols .....	8-11
General .....	8-3	Contiguous Blocks .....	8-11
Operator Error .....	8-3	Dependency Notation .....	8-11
Instrument Out of Specification .....	8-4	Common Control Block .....	8-15
Catastrophic Failures .....	8-4	Complex Device Symbology .....	8-16
Strategy .....	8-4	Shift Register .....	8-16
Overall Troubleshooting (Service Sheet BD1) .....	8-4	AND-OR Selector .....	8-16
Functional Section Troubleshooting		Up/Down Counter .....	8-16
(Service Sheets BD2-BD4) .....	8-4	Quad D-Type Latch .....	8-16
Circuit Troubleshooting		Complex Logic Symbology and	
(Service Sheets 1-22) .....	8-4	Operating Principles .....	8-17
Signature Analysis .....	8-4	Microprocessor .....	8-17
Additional Information .....	8-5	Random Access Memory .....	8-17
Repair .....	8-5	Read Only Memory .....	8-17
Disassembly Procedures .....	8-5	Multiple Bus Transceivers .....	8-18
Front Panel Removal .....	8-5	General Purpose Interface	
A1 Keyboard and A2 Display Assembly		Adapter (GPIA) .....	8-18
Removal .....	8-5	Successive Approximation Register (SAR) .....	8-19
Cover Removal, Top and Bottom (Levels		Digital-to-Analog Converter (DAC) .....	8-19
1 and 4 Access) .....	8-5	Programmable Interval Timer .....	8-20
A3 Assembly Service Position .....	8-6	BCD-to-Seven-Segment	
Level 2 Access .....	8-6	Latch/Decoder/Driver .....	8-20
A10/A11 Assemblies Service Position .....	8-7	Linear Device Operating Principles .....	8-21
Level 3 Access .....	8-7	Operational Amplifiers .....	8-21
Rear Panel Removal .....	8-7	Comparators .....	8-22

**LIST OF ILLUSTRATIONS**

Figure	Page	Figure	Page
1-1. HP Model 8656A Signal Generator with Option 001 and Accessories Supplied	1-0	5-14. Level and ALC Loop Detector Adjustment Setup	5-18
2-1. Line Voltage and Fuse Selection	2-2	5-15. Heterodyne Band Accuracy and Flatness Adjustment Setup	5-20
2-2. Power Cable and Mains Plug Part Numbers	2-3	5-16. AM% and ALC Loop AM Adjustments Setup	5-22
2-3. Time Base Jumper Location	2-5	5-17. FM Deviation Adjustment Setup	5-24
2-4. HP-IB Address Switch Location and Settings	2-5	5-18. FM Frequency Response Setup	5-25
2-5. Hewlett-Packard Interface Bus Connections	2-6	5-19. Attenuator Adjustment Setup	5-26
3-1. Simplified Front Panel Features	3-2	5-20. Attenuator Adjustment Locations	5-28
3-2. Display and Remote Features	3-5	5-21. 10 MHz Reference Oscillator Frequency Adjustment Setup	5-29
3-3. Carrier Features	3-7	6-1. Cabinet, Parts Identification	6-35
3-4. Modulation Features	3-8	6-2. Front Panel, Parts Identification	6-36
3-5. Data and Units Entry Features	3-9	6-3. Rear Panel, Parts Identification	6-37
3-6. Miscellaneous Features	3-10	6-4. Top Internal View; Top Cover Removal	6-38
3-7. Rear Panel Features	3-12	6-5. Top Internal View; A3 Assembly in Service Position	6-39
3-8. Test Setup for Basic Functional Checks	3-13	6-6. Bottom Internal View; A10/A11 Assemblies in Service Position	6-40
3-9. FM Functional Check Waveform	3-16	6-7. Bottom Internal View; Bottom Cover Removed	6-41
3-10. Data Message Examples	3-26	6-8. Low Frequency Loop Assembly — A3, Parts Identification	6-42
3-11. Frequency Switching Characteristics	3-31	6-9. Attenuator Assembly — A9, Parts Identification	6-43
4-1. Spurious Signals Test Setup	4-4	7-1. Address Buffering and Decoding, Serial I/O and Control Schematic Diagram (P/O Change C)	7-5
4-2. Modulation Analyzer Residual AM Verification Test Setup	4-5	8-1. Recommended Position for Maintenance and Servicing	8-2
4-3. Residual AM Test Setup	4-6	8-2. Rear-Panel and Fan Shroud Removal	8-7
4-4. Residual FM Test Setup	4-7	8-3. Front-Panel Pushbutton Switch Assembly	8-8
4-5. High Level Accuracy and Flatness Test Setup	4-8	8-4. Pushbutton Switch Support Anvil	8-9
4-6. Low Level Accuracy Test Setup	4-12	8-5. Heat Staking Tip	8-9
4-7. Modulation Test Setup	4-14	8-6. Typical Assembly for Heat Staking Operation	8-9
4-8. Modulation Analyzer Incidental AM Verification Test Setup	4-19	8-7. Basic Logic Symbols and Qualifiers	8-12
4-9. Output Leakage Test Setup	4-21	8-8. Indicator Symbols	8-13
5-1. +5.4 Vdc Power Supply Adjustment Setup	5-3	8-9. Contiguous Blocks	8-14
5-2. +2 Vdc Reference Adjustment Setup	5-4	8-10. AND Dependency Notation	8-14
5-3. Audio Oscillator Level Adjustment Setup	5-5	8-11. Address Dependency Notation: Coder Example Using Alpha Characters (Letters)	8-15
5-4. AM Offset Adjustment Setup	5-6	8-12. OR and Free Dependency Notation	8-15
5-5. 715 MHz Sideband Adjustment Setup	5-7	8-13. Common Control Block	8-15
5-6. Notch Filters Adjustment Setup	5-8	8-14. Quad D-Type Latch (Individual)	8-15
5-7. High Frequency Loop Offset Adjustment Setup	5-11	8-15. Quad D-Type Latch (Combined)	8-16
5-8. Tune Voltage Waveform	5-12		
5-9. 50 MHz Reference Oscillator Frequency Adjustment Setup	5-13		
5-10. 50 MHz Reference Oscillator Level Adjustment Setup	5-14		
5-11. 60 to 110 MHz Oscillator Flatness Adjustment Setup	5-15		
5-12. 690 to 740 MHz IF Compensation Adjustment Setup	5-16		
5-13. 400 MHz Bandpass Filter Adjustment Setup	5-17		

## LIST OF ILLUSTRATIONS (Cont'd)

Figure	Page	Figure	Page
8-16. Shift Register .....	8-16	8-50. Output Section Schematic Diagram .....	8-57
8-17. AND-OR Selector .....	8-16	8-51. Heterodyne and Output Control (A7 Assembly) Component Locations .....	8-58
8-18. Up/Down Counter .....	8-17	8-52. Heterodyne and Output Control (A6 Assembly) Component Locations .....	8-59
8-19. Quad D-Type Latch .....	8-17	8-53. Heterodyne and Output Control Block Diagrams .....	8-61
8-20. Random Access Memory .....	8-17	8-54. Heterodyne and Output Control Schematic Diagrams .....	8-61
8-21. Read Only Memory .....	8-18	8-55. Modulation and RF Amplitude Control Component Locations .....	8-65
8-22. Multiple Bus Transceiver With 3-State Output .....	8-18	8-56. Modulation and RF Amplitude Control Block Diagrams .....	8-67
8-23. General Purpose Interface Adapter (GPIA) .....	8-19	8-57. Modulation and RF Amplitude Control Schematic Diagram .....	8-67
8-24. Successive Approximation Register (SAR) .....	8-20	8-58. Attenuator Component Locations (Top View) .....	8-68
8-25. Digital-to-Analog Converter (8-bit) .....	8-20	8-59. Attenuator Component Locations (Bottom View) .....	8-68
8-26. Programmable Interval Timer .....	8-21	8-60. Attenuator Control Component Locations .....	8-69
8-27. BCD-to-Seven-Segment Latch/Decoder/Driver .....	8-21	8-61. Reverse Power Protection Component Locations .....	8-70
8-28. Non-Inverting Amplifier (Gain = 1) .....	8-22	8-62. Attenuator, Attenuator Control and Reverse Power Protection Block Diagrams .....	8-71
8-29. Non-Inverting Amplifier (Gain = $1 + R_1/R_2$ ) .....	8-22	8-63. Attenuator, Attenuator Control and Reverse Power Protection Schematic Diagram .....	8-71
8-30. Inverting Amplifier (Gain = $-R_1/R_2$ ) .....	8-22	8-64. LF Loop VCO Component Locations .....	8-72
8-31. Non-Inverting Comparator .....	8-22	8-65. LF Loop VCO Block Diagrams .....	8-73
8-32. Inverting Comparator .....	8-22	8-66. LF Loop VCO Schematic Diagrams .....	8-73
8-33. Overall Block Diagram .....	8-35	8-67. LF Loop Data and Timing Control Component Locations .....	8-81
8-34. High Frequency and Output Section Block Diagram .....	8-37	8-68. LF Loop Data and Timing Control Block Diagrams .....	8-83
8-35. Low Frequency and FM Section Block Diagram .....	8-39	8-69. LF Loop Data and Timing Control Schematic Diagrams .....	8-83
8-36. Microprocessor, Keyboard & Display Section Block Diagram .....	8-41	8-70. LF Loop Phase Lock Circuit Component Locations .....	8-86
8-37. High Frequency Oscillator Component Locations .....	8-44	8-71. LF Loop Phase Lock Circuit Block Diagrams .....	8-87
8-38. IF Section (A4 Assembly) Component Locations .....	8-45	8-72. LF Loop Phase Lock Circuit Schematic Diagram .....	8-87
8-39. High Frequency Oscillator and IF Section Block Diagrams .....	8-47	8-73. LF Loop FM Calibrator Component Locations .....	8-91
8-40. High Frequency Oscillator and IF Section Schematic Diagram .....	8-47	8-74. LF Loop FM Calibrator Block Diagrams .....	8-93
8-41. High Frequency Loop Amplifier and Control Component Locations .....	8-49	8-75. LF Loop FM Calibrator Schematic Diagrams .....	8-93
8-42. High Frequency Loop Amplifier and Control Block Diagrams .....	8-51	8-76. LF Loop FM System Control Component Locations .....	8-95
8-43. High Frequency Loop Amplifier and Control Schematic Diagram .....	8-51	8-77. LF Loop FM System Control and Calibrator Component Locations .....	8-96
8-44. Frequency Multiplier Component Locations .....	8-52		
8-45. Frequency Multiplier Block Diagrams .....	8-53		
8-46. Frequency Multiplier Schematic Diagrams ...	8-53		
8-47. Output Section (A7 Assembly) Component Locations .....	8-55		
8-48. Output Section (A6 Assembly) Component Locations .....	8-56		
8-49. Output Section Block Diagrams .....	8-57		



**LIST OF ILLUSTRATIONS (Cont'd)**

Figure	Page	Figure	Page
8-78. LF Loop FM System Control and Calibrator Block Diagrams .....	8-97	8-94. HP-IB Interface Component Locations ...	8-112
8-79. LF Loop FM System Control and Calibrator Schematic Diagram .....	8-97	8-95. HP-IB Interface Block Diagrams .....	8-113
8-80. Reference Oscillator and Phase Lock Loop Component Locations .....	8-98	8-96. HP-IB Interface Schematic Diagram .....	8-113
8-81. Reference Oscillator and Phase Lock Loop Block Diagrams .....	8-99	8-97. Keyboard Component Locations .....	8-114
8-82. Reference Oscillator and Phase Lock Loop Schematic Diagram .....	8-99	8-98. Keyboard Encoder Component Locations .....	8-114
8-83. A7 Assembly Interrupt Input Component Locations .....	8-102	8-99. Keyboard and Encoder Block Diagrams ...	8-115
8-84. Microprocessor, Interrupt Processing and Restart Component Locations .....	8-103	8-100. Keyboard and Encoder Schematic Diagram .....	8-115
8-85. Microprocessor, Interrupt Processing and Restart Block Diagrams .....	8-105	8-101. Display Control Component Locations ...	8-117
8-86. Microprocessor, Interrupt Processing and Restart Schematic Diagram .....	8-105	8-102. Display Control Block Diagrams .....	8-119
8-87. Address Buffering and Decoding, Serial I/O and Control Component Locations .....	8-106	8-103. Display Control Schematic Diagram .....	8-119
8-88. Address Buffering and Decoding, Serial I/O and Control Block Diagrams .....	8-107	8-104. Frequency Displays Component Locations .....	8-120
8-89. Address Buffering and Decoding, Serial I/O and Control Schematic Diagram .....	8-107	8-105. Frequency Displays Block Diagrams .....	8-121
8-90. Memory Component Locations .....	8-110	8-106. Frequency Displays Schematic Diagram ...	8-121
8-91. Memory Block Diagrams .....	8-111	8-107. Amplitude, Modulation and Annunciator Displays Component Locations .....	8-123
8-92. Memory Schematic Diagram .....	8-111	8-108. Amplitude, Modulation and Annunciator Displays Block Diagrams .....	8-125
8-93. HP-IB Connector Component Locations ...	8-112	8-109. Amplitude, Modulation and Annunciator Displays Schematic Diagram .....	8-125
		8-110. Voltage Regulator Component Locations .....	8-126
		8-111. Filter Bank Component Locations .....	8-126
		8-112. Power Supply (A10 Assembly) Component Locations .....	8-127
		8-113. Power Supply Schematic Diagram .....	8-127

**TABLES**

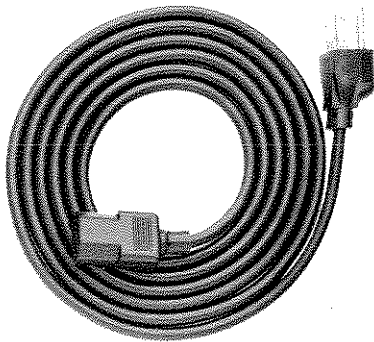
Table	Page	Table	Page
1-1. Specifications .....	1-4	4-1. Abbreviated Performance Tests .....	4-2
1-2. Supplemental Characteristics .....	1-7	4-2. Performance Test Record .....	4-23
1-3. Recommended Test Equipment .....	1-8		
1-4. Alternate Test Equipment .....	1-10	5-1. Factory Selected Components .....	5-1
2-1. Line Fuse Ratings and Part Numbers .....	2-2	5-2. Post-Repair Adjustments .....	5-2
2-2. Allowable HP-IB Address Codes .....	2-4	5-3. Attenuator Pad Adjustment Information .....	5-27
3-1. Initialized Conditions .....	3-1		
3-2. Operating Characteristics .....	3-1	6-1. Reference Designations .....	6-3
3-3. Index of Detailed Operating Instructions .....	3-3	6-2. Abbreviations .....	6-3
3-4. HP-IB Message Reference Table .....	3-24	6-3. Replaceable Parts .....	6-5
3-5. Valid Decimal Values vs. Equivalent ASCII Characters .....	3-25	6-4. Code List of Manufacturers .....	6-34
3-6. Input Data Restrictions .....	3-26		
3-7. Response to Clear Message .....	3-27	7-1. Manual Changes by Serial Number .....	7-1
3-8. HP-IB Program Codes (Alphabetical Order) .....	3-28	7-2. Summary of Changes by Component .....	7-2
3-9. HP-IB Program Codes (Functional Order) .....	3-29		
3-10. Commonly Used Code Conversions .....	3-30	8-1. Assembly Access Information .....	8-6
		8-2. Etched Circuit Soldering Equipment .....	8-11
		8-3. Schematic Diagram Notes .....	8-23

### SERVICE SHEETS

Section or Assembly	Schematic	Block Diagram	Section or Assembly	Schematic	Block Diagram
Overall Troubleshooting	—	BD1	A6 Output Assembly		
High Frequency and Output Section	—	BD2	Output Section	4	BD2
Low Frequency and FM Section	—	BD3	Heterodyne and Output Control	5	BD2
Microprocessor, Keyboard, and Display Section	—	BD4	Reverse Power Protection	7	BD2
			A7 RFI Assembly	4, 5, 14	—
A1 Keyboard Assembly	18	BD4	A8 Frequency Multiplier Assembly	3	BD2
A2 Display Assembly			A9 Attenuator Assembly	7	BD2
Keyboard and Encoding	18	BD4	A10 Audio/Power Supply Assembly		
Display Control	19	BD4	Modulation and RF Amplitude Control	6	BD2
Frequency Display	20	BD4	Attenuator Control	7	BD2
Amplitude, Modulation, and Annunciator Displays	21	BD4	Frequency Modulation Control	12	BD3
A3 Low Frequency Loop Assembly			Power Supply	22	BD1
Voltage Controlled Oscillator (VCO)	8	BD3	A11 Microprocessor/Memory/HP-IB Assembly		
Data and Timing Control	9	BD3	Microprocessor, Interrupt Processing and Restart	14	BD4
Phase Locked Circuits	10	BD3	Address Buffering and Decoding, Serial I/O and Control	15	BD4
Frequency Modulation Calibrator	11	BD3	Memory	16	BD4
Frequency Modulation System	12	BD3	HP-IB Interface	17	BD4
50 MHz Reference Oscillator and Phase Lock Loop	13	BD3	A12 Voltage Regulator Assembly	22	BD1
A4 High Frequency Loop Assembly			A13 HP-IB Connector Assembly	17	BD4
IF Section	1	BD2	A14 Filter Bank Assembly	14, 22	—
HF Loop Amplifier and Control	2	BD2	A15 Line Power Module	22	BD1
A5 High Frequency Oscillator Assembly	1	BD2	A16 10 MHz Reference Oscillator Assembly (Option 001)	13, 22	BD3
			A17 Front Feedthrough Assembly	6, 18	—
				19, 22	—



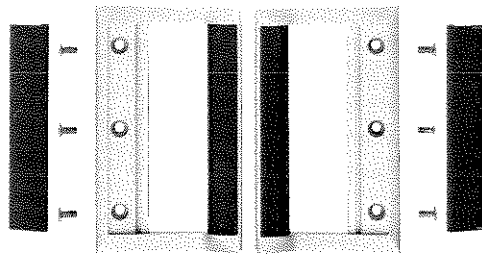
MODEL 8656A



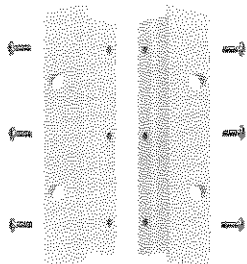
LINE POWER CABLE



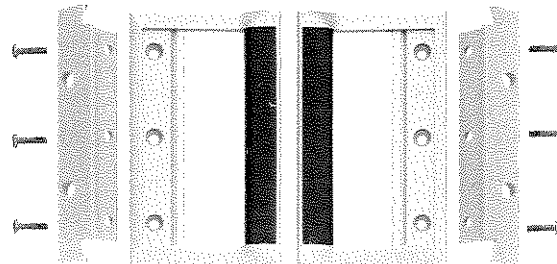
OPTION 001  
TIME BASE CABLE



OPTION 907  
FRONT HANDLE KIT



OPTION 908  
RACK FLANGE KIT



OPTION 909  
RACK FLANGE AND FRONT HANDLE  
COMBINATION KIT

NOTE: Refer to ACCESSORIES SUPPLIED for more details.

Figure 1-1. HP Model 8656A Signal Generator with Option 001 and Accessories Supplied

## SECTION I GENERAL INFORMATION

### 1-1. INTRODUCTION

This manual contains information required to install, operate, test, adjust, and service the Hewlett-Packard Model 8656A Signal Generator. The Model 8656A will generally be referred to as the Signal Generator throughout this manual. Figure 1-1 shows the Signal Generator with all of its externally supplied accessories. This manual also documents Signal Generators supplied with the high stability time base, Option 001 and rear panel connectors, Option 002.

This section of the manual describes the instruments documented by this manual and covers instrument description, options, accessories, specifications, and other basic information. The other sections contain the following information:

**Section II, Installation:** provides information about initial inspection, preparation for use (including time base selection and HP-IB address selection for remote operation), and storage and shipment.

**Section III, Operation:** provides information about panel features and includes operator's checks, operating instructions for both local and remote operation, and operator's maintenance information.

**Section IV, Performance Tests:** provides the information required to check performance of the instrument against the critical specifications listed in Table 1-1.

**Section V, Adjustments:** provides the information required to properly adjust the instrument.

**Section VI, Replaceable Parts:** provides ordering information for all replaceable parts and assemblies.

**Section VII, Manual Changes:** with the backdating information, this manual applies to all instruments as indicated on the title page.

**Section VIII, Service:** provides the information required to repair the instrument.

Two copies of the operating information are supplied with the Signal Generator. One copy is in the

form of an Operating Manual. The Operating Manual is simply a copy of the first three sections of the Operating and Service Manual. The Operating Manual should stay with the instrument for use by the operator. Additional copies of the Operating Manual may be ordered separately through your nearest Hewlett-Packard office. Its part number is listed on the title page of this manual.

Also listed on the title page of this manual, below the manual part number, is a "Microfiche" part number. This number may be used to order 100 x 150 millimetre (4- x 6-inch) microfilm transparencies of this manual. Each microfiche contains up to 96 photo-duplicates of the manual's pages. The microfiche package also includes the latest MANUAL CHANGES supplement, as well as all pertinent Service Notes.

### 1-2. SPECIFICATIONS

Instrument specifications are listed in Table 1-1. These specifications are the performance standards or limits against which the instrument may be tested. Supplemental characteristics are listed in Table 1-2. Supplemental characteristics are not warranted specifications, but are typical characteristics included as additional information for the user.

### 1-3. SAFETY CONSIDERATIONS

This product is a Safety Class I instrument, that is, one provided with a protective earth terminal. The Signal Generator and all related documentation must be reviewed for familiarization with safety markings and instructions before operation. Refer to the Safety Considerations page found at the beginning of this manual for a summary of the safety information. Safety information pertinent to the task at hand, that is, installation, operation, performance testing, adjustment, or service is found throughout this manual.

### 1-4. INSTRUMENTS COVERED BY THIS MANUAL

This instrument has a two-part serial number in the form 0000A00000 which is stamped on the serial number plate attached to the rear of the instrument. The first four digits and the letter con-

## INSTRUMENTS COVERED BY THIS MANUAL (Cont'd)

stitute the serial number prefix and the last five digits form the suffix. The prefix is the same for all identical instruments. It changes only when a change is made to the instrument. The suffix, however, is assigned sequentially and is different for each instrument. The contents of this manual apply directly to instruments having the same serial number prefix(es) as listed under SERIAL NUMBERS on the title page.

An instrument manufactured after the printing of this manual may have a serial number prefix that is not listed on the title page. This unlisted serial number prefix indicates that the instrument is different from those documented in this manual. The manual for this newer instrument is accompanied by a yellow MANUAL CHANGES supplement. This supplement contains "change information" that explains how to adapt the manual to the newer instrument.

In addition to change information, the supplement may contain information for correcting errors in the manual. To keep this manual as current and accurate as possible, Hewlett-Packard recommends that you periodically request the latest MANUAL CHANGES supplement. The supplement for this manual is identified with the manual print date and part number, both of which appear on the manual title page. Complimentary copies of the supplement are available from Hewlett-Packard

For information concerning a serial number prefix that is not listed on the title page or in the MANUAL CHANGES supplement, contact your nearest Hewlett-Packard office.

### 1-5. DESCRIPTION

The Hewlett-Packard Model 8656A is a synthesized signal generator with a carrier frequency range of 100 kHz to 990 MHz. Its output amplitude is leveled and calibrated from +13 to -127 dBm. AM and/or FM functions can be individually selected. The carrier frequency, output amplitude, and modulation functions can be remotely programmed via the Hewlett-Packard Interface Bus. The unique modular design and incorporated service features permit rapid and easy calibration and service.

### 1-6. Carrier Frequency

The Signal Generator covers a carrier frequency range of 100 kHz to 990 MHz (10 kHz to 990 MHz with underrange) which can be extended to 1.8 GHz with an external doubler. Frequency resolution is 100 Hz or 250 Hz depending on the carrier frequency selected. An 8-digit LED display of the carrier frequency in MHz is provided. Pushbutton keys permit coarse tuning, fine tuning, and incrementing of the carrier frequency.

Frequency accuracy and stability are dependent on the reference source being used, either the internal 50 MHz reference oscillator or an external source that operates at 1, 5, or 10 MHz. An optional 10 MHz crystal reference is available for increased accuracy and stability.

### 1-7. Output Amplitude

The Signal Generator has precise power levels from +13 to -127 dBm (+1.00V to +0.100  $\mu$ V) with overrange at decreased accuracy. The output amplitude from +13 to -127 dBm is accurate to less than or equal to  $\pm 1.5$  dB from 100 kHz to 990 MHz. Level flatness is less than or equal to  $\pm 1.0$  dB with an output amplitude setting of 0.0 dBm. Output amplitude resolution is 0.1 dB. A 3-1/2-digit LED display of output amplitude is provided with 7 LED annunciators used to display unit information. Easy conversion of units between dBm,  $\mu$ V, EMF, and so forth is possible.

### 1-8. Modulation Capabilities

The Signal Generator features a versatile internal and external modulation capability for AM and FM. This includes internal 400 Hz or 1 kHz tones; mixed modulation, such as AM/FM, AM/AM, or FM/FM; and the capability to accept low frequency digital unsquelching signals. A 2-digit display of AM depth or FM peak deviation frequencies is provided with 10 LED annunciators used to display internal or external modulation source information. Simple keyboard entries of AM depth up to 99% with a resolution of 1% and FM peak deviation frequencies up to 99 kHz with resolutions of 100 Hz (for deviations less than 10 kHz) or 1 kHz (for deviations greater than or equal to 10 kHz) are possible.

### 1-9. OPTIONS

The following options are available and may have been ordered and received with the Signal Generator. If they were not received with the original shipment and are now desired, except for option

**OPTIONS (Cont'd)**

002, they may be ordered from your nearest Hewlett-Packard office using the part number included in each of the following paragraphs.

**1-10. Electrical Options**

Option 001 provides a 10 MHz crystal reference for increased frequency accuracy and stability. Order HP part number 08656-60079.

**1-11. Mechanical Options**

The mechanical options except Option 002 are shown in Figure 1-1.

**Rear Panel Inputs and Outputs Option 002.** RF Output and Modulation Input/Output Connectors are located on the rear panel. The SEQ (sequencing) input is eliminated.

**Front Handle Kit Option 907.** Ease of handling is increased with the front panel handles. Order HP part number 5061-0089.

**Rack Flange Kit Option 908.** This kit contains all necessary hardware and installation instructions for mounting the Signal Generator in a rack with 482.5 millimeter (standard 19-inch) spacing. Order HP part number 5061-0077.

**Rack Flange and Front Handle Combination Kit Option 909.** This kit is not simply a front handle kit and rack flange kit packaged together. The combination is made up of unique parts which include both functions. Order HP part number 5061-0083.

**1-12. HEWLETT-PACKARD INTERFACE BUS****1-13. Compatibility**

The Signal Generator has an HP-IB interface and can be used with any HP-IB computing controller or computer for automatic system applications. The Signal Generator is fully programmable via the HP Interface Bus. The Signal Generator's complete compatibility with HP-IB is defined by the following list of interface functions: SH0, AH1, T0, L2, SR0, RL1, PP0, DC1, DT0, and C0. The Signal Generator interfaces with the bus via open-collector TTL circuitry. An explanation of the compatibility codes can be found in the IEEE Standard 488 and the identical ANSI Standard MC1.1.

For more detailed information relating to programmable control of the Signal Generator, refer



\* Not just IEEE-488, but the hardware, documentation and support that delivers the shortest path to a measurement system.

to Remote Operation, Hewlett-Packard Interface Bus in Section III of this manual.

**1-14 Selecting the HP-IB Address**

Five miniature HP-IB address switches are located inside the Signal Generator. These switches represent a five-bit binary number (00 through 31 in decimal). HP-IB addresses greater than 30 (decimal) are invalid. When the instrument is shipped from the factory, the HP-IB address is preset to 07 (decimal). To determine the Signal Generator's HP-IB address, refer to HP-IB Address Display in Section III of this manual. To change the HP-IB address, refer to paragraph 2-8, HP-IB Address Selection.

**1-15. ACCESSORIES SUPPLIED**

The accessories supplied with the Signal Generator are shown in Figure 1-1. The power cable and fuse supplied are selected at the factory according to the Mains voltage available in the country of destination. For the part numbers of the power cables and Mains plugs available, refer to paragraph 2-6, Power Cables. For the part numbers and ratings of the fuses available, refer to paragraph 2-5, Line Voltage and Fuse Selection. If the Signal Generator is equipped with Option 001, a coaxial time base cable is supplied. This cable must be connected between the rear panel TIME BASE HIGH STABILITY OPTION connector and the TIME BASE INPUT connector.

**1-16 RECOMMENDED TEST EQUIPMENT**

Table 1-3 lists the test equipment required for testing, adjusting, and servicing the Signal Generator. The Critical Specifications column describes the essential requirements for each piece of test equipment. Other equipment can be substituted if it meets or exceeds these critical specifications.

The Recommended Model column may suggest more than one model. The first model listed is usually the least expensive, single-purpose model. Alternate models are suggested for additional features that would make them a better choice in some applications. For example, reasons for recommending an alternate model might be:

- HP-IB programmability  
— or —
- Multi-function capability (that is, one model can replace two or more single-purpose models)

Table 1-4 presents the advantages of the alternate suggestions.

Table 1-1. Specifications (1 of 3)

Electrical Characteristics	Performance Limits	Conditions
<b>FREQUENCY</b> Range Resolution	100 kHz to 990 MHz 100 Hz 250 Hz	
<b>SPECTRAL PURITY</b> Spurious Signals: Harmonics Non-harmonics Sub-harmonics  Residual Modulation CW Mode: AM (0.05 to 15 kHz Post Detection Noise Bandwidth)  FM (0.3 to 3 kHz Post Detection Noise Bandwidth)  FM (0.05 to 15 kHz Post Detection Noise Bandwidth)	<-30 dBc <-60 dBc None  <-70 dBc  <15 Hz rms <3 Hz rms <6 Hz rms <15 Hz rms  <30 Hz <8 Hz <16 Hz <30 Hz	≤+7 dBm output levels >5 kHz from carrier in CW mode  0.1 to 990 MHz  0.1 to 123.5 MHz 123.5 to 247 MHz 247 to 494 MHz 494 to 990 MHz  0.1 to 123.5 MHz 123.5 to 247 MHz 247 to 494 MHz 494 to 990 MHz
<b>OUTPUT</b> Level Range Resolution Absolute Level Accuracy <sup>1</sup>  Level Flatness	+13 dBm to -127 dBm 0.1 dB ≤±1.5 dB  ≤±1.0 dB	Into 50 ohms  Output levels of +13 dBm to -127 dBm; frequencies from 100 kHz to 990 MHz  Output level setting of 0.0 dBm; frequencies from 100 kHz to 990 MHz
<b>AMPLITUDE MODULATION</b> Depth <sup>2</sup>  Resolution  Incidental Phase Modulation	0 to 99%  0 to 30%  1%  <0.3 radian peak	Output levels of +7 dBm and below; frequencies from 100 kHz to 990 MHz  Output levels of +10 dBm and below; frequencies from 100 kHz to 990 MHz  30% AM depth and internal rates
<sup>1</sup> Absolute level accuracy includes allowances for detector linearity, temperature, flatness, attenuator accuracy, and measurement error. <sup>2</sup> AM depth is further limited by the Indicator Accuracy specification.		

Table 1-1. Specifications (2 of 3)

Electrical Characteristics	Performance Limits	Conditions
<p><b>AMPLITUDE MODULATION</b> (Cont'd)</p> <p>Indicator Accuracy<sup>2</sup></p> <p>AM Rates: Internal External</p> <p>AM Distortion (internal rates)</p>	<p><math>\pm 2\%</math> (<math>\pm 4\%</math> of reading)</p> <p>400 and 1 kHz, <math>\pm 3\%</math> 25 Hz to 25 kHz</p> <p>&lt;1.5% &lt;3% &lt;5%</p>	<p>Depths &lt;90% and internal rates</p> <p>1 dB bandwidth, ac coupled</p> <p>0 to 30% AM 31 to 70% AM 71 to 90% AM</p>
<p><b>FM MODULATION</b></p> <p>Maximum Peak Deviation (<math>\Delta f_{pk}</math>):<sup>3</sup></p> <p>Rates <math>\geq 60</math> Hz</p> <p>Rates &lt;60 Hz</p> <p>Resolution</p> <p>Incidental AM</p> <p>Indicator Accuracy<sup>3</sup></p> <p>FM Distortion (Total Harmonic Distortion)</p> <p>FM Rates: Internal External</p>	<p>99 kHz 25 kHz 50 kHz 99 kHz</p> <p>1600 x Rate 400 x Rate 800 x Rate 1600 x Rate</p> <p>0.1 kHz 1 kHz</p> <p>&lt;0.1%</p> <p><math>\pm 5\%</math> of reading</p> <p>&lt;0.5%</p> <p>400 and 1 kHz, <math>\pm 3\%</math> 25 Hz to 25 kHz</p>	<p>0.1 to 123.5 MHz (fc) 123.5 to 247 MHz (fc) 247 to 494 MHz (fc) 494 to 990 MHz (fc)</p> <p>0.1 to 123.5 MHz (fc) 123.5 to 247 MHz (fc) 247 to 494 MHz (fc) 494 to 990 MHz (fc)</p> <p>(FM not specified for fc — <math>\Delta f_{pk}</math> &lt;100 kHz)</p> <p>Deviations &lt;10 kHz Deviations <math>\geq 10</math> kHz</p> <p>&lt;20 kHz peak deviation and internal rates and carrier frequency <math>\geq 500</math> kHz.</p> <p>At internal rates. Add <math>\pm 5\%</math>, if 250 Hz frequency increments are used.</p> <p>100 Hz to 99 kHz peak deviations and internal rates.</p> <p>1 dB bandwidth, ac coupled</p>
<p><b>GENERAL</b></p> <p>Operating Temperature Range</p> <p>Power Requirements Line Voltage</p>	<p>0 to 55°C</p> <p>100, 120, 220, or 240 Vac, +5%, -10%</p>	
<p><sup>2</sup>AM depth is further limited by the Indicator Accuracy specification. <sup>3</sup>FM deviation is further limited by the Indicator Accuracy specification.</p>		



Table 1-1. Specifications (3 of 3)

Electrical Characteristics	Performance Limits	Conditions
<p><b>GENERAL (Cont'd)</b></p> <p>Line Frequency</p> <p>Power Dissipation</p> <p>Conducted and Radiated Electromagnetic Interference</p> <p>Net Weight</p> <p>Dimensions (Full Envelope): Height Width Depth</p>	<p>48 to 66 Hz</p> <p>125VA maximum</p> <p>MIL STD 461A, VDE 0871</p> <p>&lt;1.0 <math>\mu</math>V</p> <p>18.1 kg (40 lb)</p> <p>133 mm (5.25 in.) nominal 425 mm (16.75 in.) nominal 520 mm (20.5 in.) nominal.</p>	<p>Conducted and radiated interference is within the requirements of methods CE03 and RE02 of MIL STD 461A, VDE 0871, and CISPR Publication 11.</p> <p>Induced in a two-turn 2.5 cm (1 inch) diameter loop held 2.5 cm (1 inch) away from the front surface.</p> <p>NOTE: For ordering cabinet accessories, the module sizes are 5-1/4H, 1MW, 17D.</p>
<p>Electrical Characteristics</p>	<p>Features</p>	
<p><b>REMOTE OPERATION</b> HP-IB (IEEE 488) Capability:</p> <p>Interface</p> <p>Functions Controlled</p>	<p>Hewlett-Packard Interface Bus (HP-IB). HP-IB is Hewlett-Packard's implementation of IEEE Standard 488 (and the identical ANSI Standard MC1.1). The Signal Generator's compatibility with HP-IB is defined by the following list of interface functions: SH0, AH1, T0, L2, SR0, RL1, PP0, DC1, DT0, and C0.</p> <p>All functions controlled from the front panel with the exception of DISPLAY, DISPLAY in conjunction with SEQ, Backspace, COARSE TUNE, FINE TUNE, and display HP-IB ADRS are programmable with the same accuracy and resolution as in local operation.</p>	

Table 1-2. Supplemental Characteristics

Supplemental characteristics are intended to provide information useful in applying the instrument by giving typical, but non-warranted performance parameters.

**FREQUENCY**

**Accuracy and Stability:** same as internal time base.

**Time Base Characteristics:**

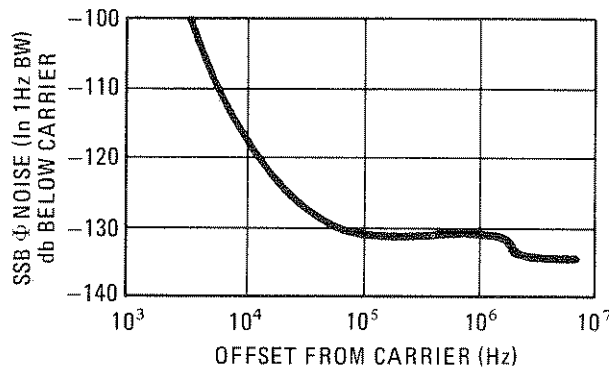
Characteristic	Standard Time Base	Option 001 Time Base
Aging Rate	±2 ppm/year	1 × 10 <sup>-9</sup> /day
Temperature	±10 ppm (0–55°C)	7 × 10 <sup>-9</sup> (0–55°C)
Line Voltage	—	2 × 10 <sup>-9</sup> (+5 to -10%)
Frequency	50 MHz	10 MHz
Time Base Reference Signal (Rear Panel)	Available at a level of >0.15 Vrms into 50 ohms (output of 10, 5 or 1 MHz is selectable via internal jumper). If the Option 001 or another external reference is used, only that reference frequency is available as an output.	
External Reference Input (Rear Panel)	Accepts any 10, 5 or 1 MHz (±0.002%) frequency standard at a level >0.15 Vrms into 50 ohms.	

**Frequency Switching Speed:** <2 seconds to be within 100 Hz of selected frequency.

**SPECTRAL PURITY**

**SSB  $\phi$  Noise (CW only):**

Offset from Carrier	0.1 to 123.5 MHz (dBc/Hz)	123.5 to 247 MHz (dBc/Hz)	247 to 494 MHz (dBc/Hz)	494 to 990 MHz (dBc/Hz)
20 kHz	<-115	<-127	<-121	<-115
500 kHz	<-125	<-135	<-131	<-125



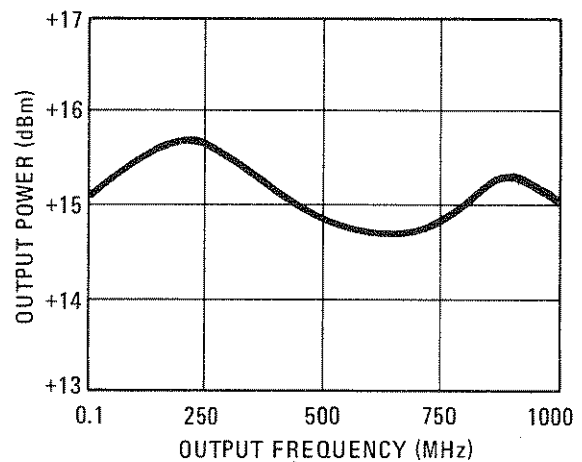
Typical SSB  $\phi$  Noise,  $f_c = 450$  MHz.

**OUTPUT**

**SWR:** <2, 0.1 to 990 MHz and <+13 dBm; < 1.5, 1.0 to 990 MHz and <-5 dBm.

**Impedance:** 50 ohms nominal.

**Reverse Power Protection:** protects Signal Generator from application of up to 50 watts of RF power to 990 MHz into RF OUTPUT connector; dc voltage cannot exceed 25V.



Typical maximum power output versus frequency (output set to +17 dBm).

**MODULATION**

**(Amplitude and Frequency Modulation)**

**External Sensitivity:** 1V peak for indicated accuracy. Front-panel annunciators indicate application of 1V peak signal ±5%.

**External Modulation Input:** front-panel BNC; ac-coupled, 600 ohms.

**Modulating Signal Output:** internal modulating signal is provided at the front-panel BNC connector at 1V peak, ±5% into 600-ohm resistive load.

**Digital FM Modulation:** will accept digital unsquelching signals. Sag of resultant demodulated signal is less than 8% at 1 kHz deviation for a 10 Hz square-wave modulating signal.

**Simultaneous Modulation:** internal and external AM and FM. Internal/external AM/FM, FM/AM, AM/AM, and FM/FM.

**AM Incidental to FM:** <1% for 200 kHz ≤  $f_c$  < 500 kHz and <5% for 100 kHz ≤  $f_c$  < 200 kHz.

Table 1-3. Recommended Test Equipment (1 of 3)

Instrument	Critical Specifications	Recommended Model	Use <sup>1</sup>
AM/FM Test Source (required for modulation analyzer verification)	Range: 10 to 400 MHz Residual AM <sup>2</sup> FM Flatness: ±1% (dc to 250 kHz) Peak Deviation: to 100 kHz)	HP 11715A	P
Attenuator, Fixed	Attenuation: 20 dB Frequency Range: 10 MHz to 990 MHz SWR: <1.2	HP 8491A Option 020	A
Attenuator, Fixed	Attenuation: 60 dB Frequency Range: 100 kHz to 990 MHz Accuracy: ±2 dB ±0.16 dB at Standards Calibration Lab, Frequencies of 10, 100, 201, 801, 901, and 990 MHz. SWR: <1.3	HP 8491A Option H56	P
Controller, HP-IB	HP-IB compatibility as defined by IEEE Standard 488 and the identical ANSI Standard MC1.1: SH0, AH1, T4, TE0, L0, LE0, SR0, RL0, PP0, DC0 DT0, and C1, 2, 3, 28.	HP 9825A/98034A/ 98213A or HP 9835A/ 98332A/98034A (see Table 1-4)	A, T
Digital Multimeter	Accuracy: 4-1/2 digit, ±0.02% of reading ±1 digit Ranges: 20 mV to 30 Vdc and 2 Vac Sensitivity: 100 µV	HP 3465A or HP 3455A (see Table 1-4)	P, A, T
Distortion Analyzer	Distortion Range: <0.1% Range: 25 Hz to 25 kHz	HP 339A or HP 8903A (see Table 1-4)	P, T
Frequency Counter	Range: 10 MHz Resolution: 1 Hz	HP 5328A Option 031 or HP 5328A Options 001 and 031 (see Table 1-4)	A
Frequency Counter	Range: 990 MHz Resolution: 10 Hz	HP 5328A Option 031	T
Loop Antenna 2.5 cm (1 in.)	To ensure measurement accuracy, no substitution is possible. Fabrication depends upon machining and assembling to close tolerances.	HP 008640-60501	P
Modulation Analyzer	Frequency Range: 150 kHz to 990 MHz Input Level: -20 to +13 dBm Amplitude Modulation: Rates <sup>3</sup> : 25 Hz to 25 kHz Depth: to 99% Accuracy: ±2% at 1 kHz Flatness: ±0.5% Demodulated Output Distortion: (0.3% for 50% depth; <0.6% for 90% depth Incidental ΦM: <0.05 radians for 50% depth at 1 kHz rate (50 Hz to 3 kHz bandwidth) Residual AM <sup>2</sup>	HP 8901A	P, A

Table 1-3. Recommended Test Equipment (2 of 3)

Instrument	Critical Specifications		Recommended Model	Use <sup>1</sup>
Modulation Analyzer (Cont'd)	Frequency Modulation: Rates: 25 Hz to 25 kHz Deviation: to 99 kHz Accuracy: $\pm 2\%$ at 1 kHz Demodulated Output Distortion: $< 0.3\%$ Incidental AM <sup>3</sup> : Residual FM: $< 8$ Hz rms at 1300 decreasing linearly with frequency to $< 1$ Hz rms for 100 MHz and below (50 Hz to 3 kHz bandwidth).			
Oscilloscope	Vertical Sensitivity: 10 mV/div Bandwidth: 50 MHz		HP 1222A or HP 1801A/1820C/181A (see Table 1-4)	A, T
Power Meter and Sensor	Frequency Range: 100 kHz to 990 MHz Power Range: +17 to -25 dBm with HP 8482A Frequency Range: 10 to 990 MHz Power Range: -20 to -60 dBm with HP 8484A Accuracy: $\pm 0.2$ dB		HP 436A or HP 436A Option 022 with HP 8484A and HP 8484A (see Table 1-4)	P, A, T
Signal Source	Frequency: 50 to 300 MHz Level: -20 dBm		HP 8640B	A, T
Signature Analyzer	Provides preferred method for troubleshooting digital circuitry.		HP 5004A	T
Spectrum Analyzer, RF	Frequency Range: 0.1 to 990 MHz Resolution Bandwidth: $< 1$ kHz to 3 kHz		HP 8568A or HP 8558B/P/181T or (see Table 1-4)	P, A, T
Spectrum Analyzer, RF	Frequency: 10 to 990 MHz Resolution Bandwidth: $< 100$ kHz Video Average: 25 Sweeps		Model 8568A	P, A, T
Test Oscillator	Level: 0.0 to 1 Vpk into 50 and 600 ohms Frequency: 25 Hz to 25 MHz		HP 651B	P, T
Wideband Amplifier	Gain: 20 or greater Frequency Range: 10 MHz to 990 MHz Impedance: 50 ohms Connector: Type N		HP 8447D Option 010	P
Adapter	Qty.	Type	Recommended Model	Use <sup>1</sup>
Coaxial	1	BNC(f) to BNC(f)	HP 1250-0080	A, T
Coaxial	1	N(f) to BNC(m)	HP 1250-0077	A
Coaxial	3	N(m) to BNC(f)	HP 1250-0780	P, A, T
Probe	2	SMC(f) to RF Test Point	HP 1250-1598	A, T

**Table 1-3. Recommended Test Equipment (3 of 3)**

Cable	Qty.	Type	Recommended Model	Use <sup>1</sup>
RF	2	BNC(f) to BNC(f)	HP 08662-60080	P
RF	1	Connector: UG-210/U Type N(m)	HP 11500A	P, A, T
RF	2	Connector: UG-210/U Type N(m)	HP 11500B	P, A, T

<sup>1</sup>A = Adjustments; P = Performance Tests; T = Troubleshooting.

<sup>2</sup>The residual AM specification of both the HP 8901A Modulation Analyzer and HP 11715A AM/FM Test Source are stated in a 50 Hz to 3 kHz bandwidth. In order to assure the validity of the residual AM measurement in the bandwidths stated for the HP 8656A Signal Generator (namely, 50 Hz to 15 kHz) the combined performance of both the HP 8901A and HP 11715A must be verified to be better than 0.022% rms for the 50 Hz to 15 kHz bandwidth. See paragraph 4-7, step 4, for the verification procedure.

<sup>3</sup>The incidental AM specification of the Signal Generator is not equivalent to the published specification of the Model 8901A Modulation Analyzer. In order to assure the validity of the incidental AM measurement, the incidental AM of the modulation analyzer must be verified to be less than 0.02% for the 300 Hz to 3 kHz bandwidth and 20 kHz peak deviation at internal rates. Refer to paragraph 4-10, step 18, for the verification procedures.

**Table 1-4. Alternate Test Equipment**

Instrument	Recommended Model	Suggested Alternative	Advantages of Alternative
Controller, HP-IB	HP 9825A/98213A/ 98034A	HP 9835A/98332A/ 98034A	CRT Display HP Enhanced BASIC Larger Memory
Digital Voltmeter (DVM)	HP 3465A	HP 3455A	HP-IB* Compatible
Distortion Analyzer	HP 339A	HP 8903A	HP-IB* Compatible
Frequency Counter	HP 5328A Option 031	HP 5328A Options 001 and 031	HP-IB* Compatible
Power Meter	HP 436A	HP 436A Option 022	HP-IB* Compatible
Oscilloscope	HP 1222A	HP 1801A/1820C/ 181A	Satisfies all requirements for testing the Signal Generator. Also has increased vertical sensitivity (0.05 mV/div) and a Persistence Display that makes it possible to troubleshoot the Low Frequency Loop circuits.
Spectrum Analyzer, RF	HP 8568A	HP 8558B/P/181T or HP 8554B/8552B/ 141T	Satisfies most of the requirements for testing the Signal Generator. The exception is the Low Level Accuracy test. In this case, the spectrum analyzer's noise level is high enough that the measurements are meaningless.

\*HP-IB is Hewlett-Packard's implementation of IEEE Standard 488 and the identical ANSI Standard MC1.1.

## SECTION II INSTALLATION

### 2-1. INTRODUCTION

This section provides the information needed to install the Signal Generator. Included is information pertinent to initial inspection, power requirements, line voltage and fuse selection, power cables, time base selection, HP-IB address selection, interconnection, mating connectors, operating environment, instrument mounting, storage, and shipment.

### 2-2. INITIAL INSPECTION

#### WARNING

*To avoid hazardous electrical shock, do not perform electrical tests when there are signs of shipping damage to any portion of the outer enclosure (covers and panels).*

Inspect the shipping container for damage. If the shipping container or cushioning material is damaged, it should be kept until the contents of the shipment have been checked for completeness and the instrument has been checked mechanically and electrically. The contents of the shipment should be as shown in Figure 1-1. Procedures for checking electrical performance are given in Section IV. If the contents are incomplete, if there is mechanical damage or defect, or if the instrument does not pass the electrical performance test, notify the nearest Hewlett-Packard office. If the shipping container is damaged, or the cushioning material shows signs of stress, notify the carrier as well as the Hewlett-Packard office. Keep the shipping materials for the carrier's inspection.

### 2-3. PREPARATION FOR USE

#### 2-4. Power Requirements

#### WARNING

*To avoid the possibility of hazardous electrical shock, do not operate this instrument at line voltages greater than 126.5 Vac with line frequencies greater than 66 Hz. Leakage currents at these settings may exceed 3.5 mA.*

The Signal Generator requires a power source of 115 (90 to 126) Vac or 230 (198 to 252) Vac, 48 to 66 Hz single phase. Power consumption is 125 VA maximum.

#### WARNINGS

*This is a Safety Class I product (i.e., provided with a protective earth terminal). An uninterruptible safety earth ground must be provided from the Mains power source to the product input wiring terminals, power cord, or supplied power cord set. Whenever it is likely that the protection has been impaired, the instrument must be made inoperative and be secured against any unintended operation.*

*If this instrument is to be energized via an external autotransformer for voltage reduction, make sure that the common terminal is connected to the earthed pole of the power source.*

### 2-5. Line Voltage and Fuse Selection

#### CAUTION

*BEFORE PLUGGING THIS INSTRUMENT into the Mains (line) voltage, be sure the correct voltage and fuse have been selected.*

A rear panel, line power module permits operation from 100, 120, 220, or 240 Vac. The number visible in the window (located on the module) indicates the nominal line voltage to which the instrument must be connected. Verify that the line voltage selection card and the fuse are matched to the power source. Refer to Figure 2-1, Line Voltage and Fuse Selection. Table 2-1 lists the ratings and HP part numbers for the replaceable fuses.

#### WARNING

*For protection against fire hazard, the line fuse should only be a 250V slow blow fuse with the correct current rating.*

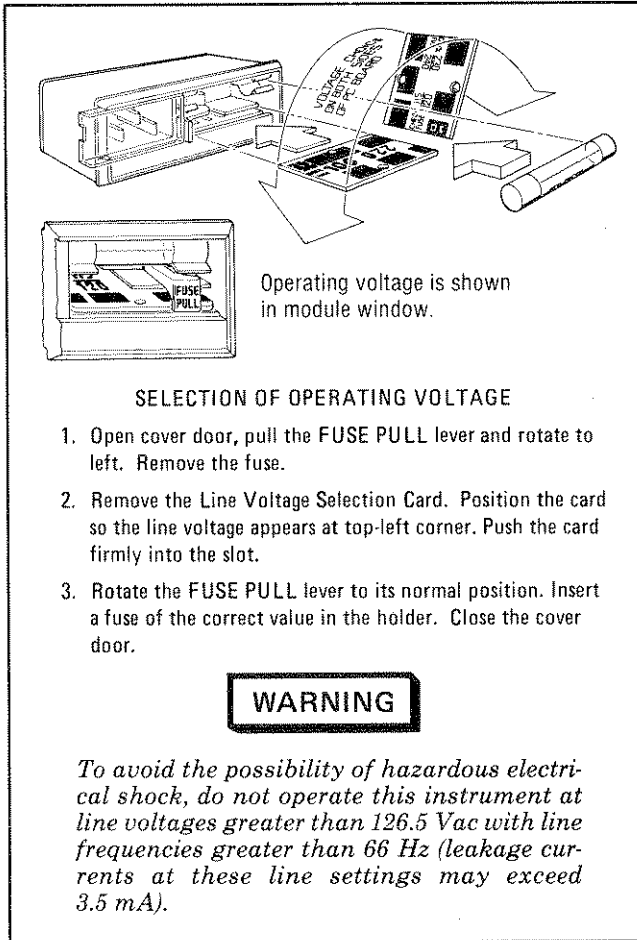


Figure 2-1. Line Voltage and Fuse Selection

Table 2-1. Line Fuse Ratings and Part Numbers

Line Voltage	Rating	Part Number
100/120V	1.25A, 250V, SLO-BLO	HP 2110-0305
220/240V	0.6A, 250V, SLO-BLO	HP 2110-0016

**2-6. Power Cables**

**WARNING**

*BEFORE CONNECTING THIS INSTRUMENT, the protective earth terminal of the instrument must be connected to the protective conductor of the (Mains) power cord. The Mains plug shall only be inserted in a socket outlet provided with a protective earth contact. The protective action must not be negated by the use of an extension cord (power cable) without a protective conductor (grounding). Grounding one conductor*

*of a two-conductor outlet is not sufficient protection.*

This instrument is equipped with a three-wire power cable. When connected to an appropriate ac power receptacle, this cable grounds the instrument cabinet. The type of power cable plug shipped with each instrument depends on the country of destination. Refer to Figure 2-2 for the part numbers of the power cables and Mains plugs available.

**2-7. Time Base Selection**

One of three time base output signals (1, 5, or 10 MHz at a level greater than 0.15 Vrms into 50 ohms) is accessible at the rear panel TIME BASE OUTPUT connector. This output signal is derived from the internal reference oscillator frequency and is jumper-selectable through an inductor located inside the Signal Generator on the Low Frequency Loop Assembly — A3. When the instrument is shipped from the factory, the inductive-jumper is hard-wired to provide a 10 MHz time base output signal. If the Option 001 or another external 10 MHz reference is applied to the rear panel TIME BASE INPUT connector, only that reference frequency will be available as an output signal. Also, if either a 1 or 5 MHz output signal is desired, the internal inductive-jumper will have to be repositioned. Similarly, if an external 1 or 5 MHz reference input is to be applied to the rear panel TIME BASE INPUT connector, the inductive-jumper will have to be repositioned to the position that corresponds to the frequency of the external reference input. The top cover of the Signal Generator will have to be removed to gain access to the time base jumper. The following procedure describes how to change the location of the inductive-jumper.

a. Remove the top cover from the Signal Generator by first removing the two screws used to secure the strap handle to each side of the instrument. Next, remove the front and rear caps, slide the side cover in the direction of the arrow, then lift the side cover away from the frame. Finally, lift the top cover away from the frame.

b. Locate the time base jumper on the Low Frequency Loop Assembly — A3 (see Figure 2-3).

c. Unsolder one end of the inductive-jumper and resolder it in the position that corresponds to the desired time base output or to the external reference input.

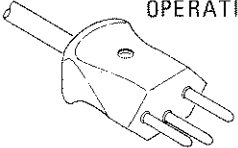
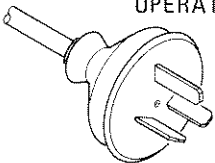
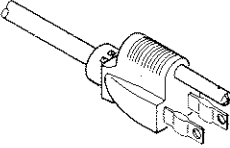
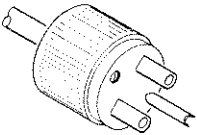
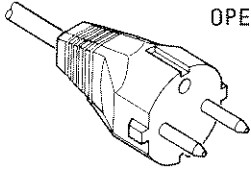
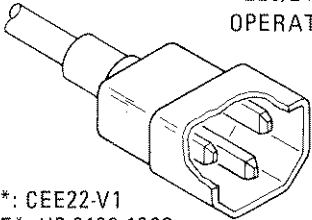
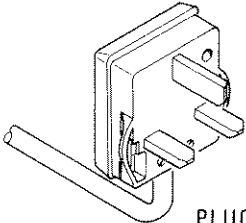
 <p>220/240V OPERATION</p> <p>PLUG*: SEV 1011.1959-24507 TYPE 12 CABLE*: HP 8120-2104</p>	 <p>220/240V OPERATION</p> <p>PLUG*: NZSS 198/AS C112 CABLE*: HP 8120-1369</p>	 <p>100/120V OPERATION</p> <p>PLUG*: NEMA 5-15P CABLE*: 8120-1378</p>	 <p>220/240V OPERATION</p> <p>PLUG*: NEMA 6-15P CABLE*: HP 8120-0698</p>
 <p>220/240V OPERATION</p> <p>PLUG*: CEE7-VII CABLE*: HP 8120-1689</p>	 <p>220/240V OPERATION</p> <p>PLUG*: CEE22-V1 CABLE*: HP 8120-1860</p>	 <p>220/240V OPERATION</p> <p>PLUG*: BS 1363A CABLE: HP 8120-1351</p>	
<p>*The number shown for the plug is the industry identifier for the plug only. The number shown for the cable is an HP part number for a complete cable including the plug.</p>			

Figure 2-2. Power Cable and Mains Plug Part Numbers

### Time Base Selection (Cont'd)

d. Reinstall the top cover by reversing the procedure given in step a.

e. If the Signal Generator is equipped with Option 001, ensure that the coaxial time base cable (A16W2) is connected between the rear panel TIME BASE HIGH STABILITY OPTION connector and the TIME BASE INPUT connector.

### 2-8. HP-IB Address Selection

The Signal Generator is strictly a listener, never a talker, and therefore only its HP-IB (listen) address can be selected. This HP-IB address is switch-selectable through five miniature rocker-switches located inside the Signal Generator on the Microprocessor/Memory/HP-IB Assembly — A11. These switches provide the means to select one of 31 valid HP-IB addresses (00 through 30). HP-IB addresses greater than 30 (decimal) are invalid. Refer to Table 2-2 for the allowable HP-IB address codes. Listed are the valid address switch settings and the equivalent ASCII character and decimal value. When the instrument is shipped from the factory, the HP-IB address is preset to 07 (decimal). (In binary, this is 00111; the ASCII equivalent character is an apostrophe.) This preset address is shown shaded in Table 2-2. The bottom cover of the Signal Generator will have to be removed to gain access to the HP-IB switches.

The following procedure describes how to change the settings of the HP-IB address switches.

#### NOTE

*The HP-IB address stored in memory will only change when the instrument is powered up or reset. Therefore, the instrument must be unplugged or reset once the settings of the HP-IB address switches have been changed, otherwise, the stored HP-IB address will remain unchanged.*

a. Remove the bottom cover from the Signal Generator by first removing the two screws used to secure the strap handle to each side of the instrument. Next, remove the front and rear caps, slide the cover in the direction of the arrow, then lift the side cover away from the frame. Finally, lift the bottom cover away from the frame.

b. Locate the HP-IB address switches S3 and S4 on the Microprocessor/Memory/HP-IB Assembly — A11 (see Figure 2-4).

c. Use a pencil to set the switches to the desired HP-IB address in binary (see Figure 2-4). The five switches are labeled A1 through A5, where A1 is the least significant address bit and A5 is the most



**HP-IB** Table 2-2. Allowable HP-IB Address Codes

Address Switch					Equivalent ASCII Character (LISTEN)	Equivalent Decimal Value (LISTEN)
A5	A4	A3	A2	A1		
0	0	0	0	0	SP	00
0	0	0	0	1	!	01
0	0	0	1	0	"	02
0	0	0	1	1	#	03
0	0	1	0	0	\$	04
0	0	1	0	1	%	05
0	0	1	1	0	&	06
0	0	1	1	1	'	07
0	1	0	0	0	(	08
0	1	0	0	1	)	09
0	1	0	1	0	*	10
0	1	0	1	1	+	11
0	1	1	0	0	,	12
0	1	1	0	1	-	13
0	1	1	1	0	.	14
0	1	1	1	1	/	15
1	0	0	0	0	0	16
1	0	0	0	1	1	17
1	0	0	1	0	2	18
1	0	0	1	1	3	19
1	0	1	0	0	4	20
1	0	1	0	1	5	21
1	0	1	1	0	6	22
1	0	1	1	1	7	23
1	1	0	0	0	8	24
1	1	0	0	1	9	25
1	1	0	1	0	:	26
1	1	0	1	1	;	27
1	1	1	0	0	<	28
1	1	1	0	1	=	29
1	1	1	1	0	>	30

Indicates factory-set address.

**HP-IB Address Selection** **HP-IB** (Cont'd)  
 significant address bit. Pressing the right-hand side of the switch (as viewed from the front of the instrument) "sets" the corresponding address bit (bit=1), while pressing the left-hand side "clears" the bit (bit=0). Setting all of the address bits to "1" will result in an invalid HP-IB address (31 decimal). In this case, an HP-IB address of 30 (decimal) will be stored in memory once the instrument is powered up or reset.

d. Reinstall the bottom cover by reversing the procedure given in step a.

e. To confirm the HP-IB address, simply press and hold the front panel HP-IB ADRS key. The internally-set, decimal HP-IB address will be displayed in the MODULATION Display as long as the HP-IB ADRS key remains pressed.

**2-9. Interconnection**

Interconnection data for the Hewlett-Packard Interface Bus is provided in Figure 2-5.

**2-10. Mating Connectors**

**Coaxial Connectors.** Coaxial mating connectors used with the Signal Generator should be either 50-ohm BNC male connectors or 50-ohm Type N male connectors that are compatible with those specified in US MIL-C-39012.

**Interface Connector.** HP-IB mating connector is shown in Figure 2-5. Note that the two securing screws are metric.

**2-11. Operating Environment**

The operating environment should be within the following limitations:

- Temperature ..... 0°C to +55°C
- Humidity ..... <95% relative at 40°C
- Altitude ..... <4570 metres (15 000 feet)

**2-12. Bench Operation**

The instrument cabinet has plastic feet and fold-away tilt stands for convenience in bench operation. (The plastic feet are shaped to ensure self-alignment of instruments when they are stacked.) The tilt stands raise the front of the Signal Generator for easier viewing of the front panel.

**2-13. Rack Mounting**

**WARNING**

*The Signal Generator weighs 18.1 kg (40 lb); therefore, care must be exercised when lifting to avoid personal injury. Use equipment slides when rack mounting.*

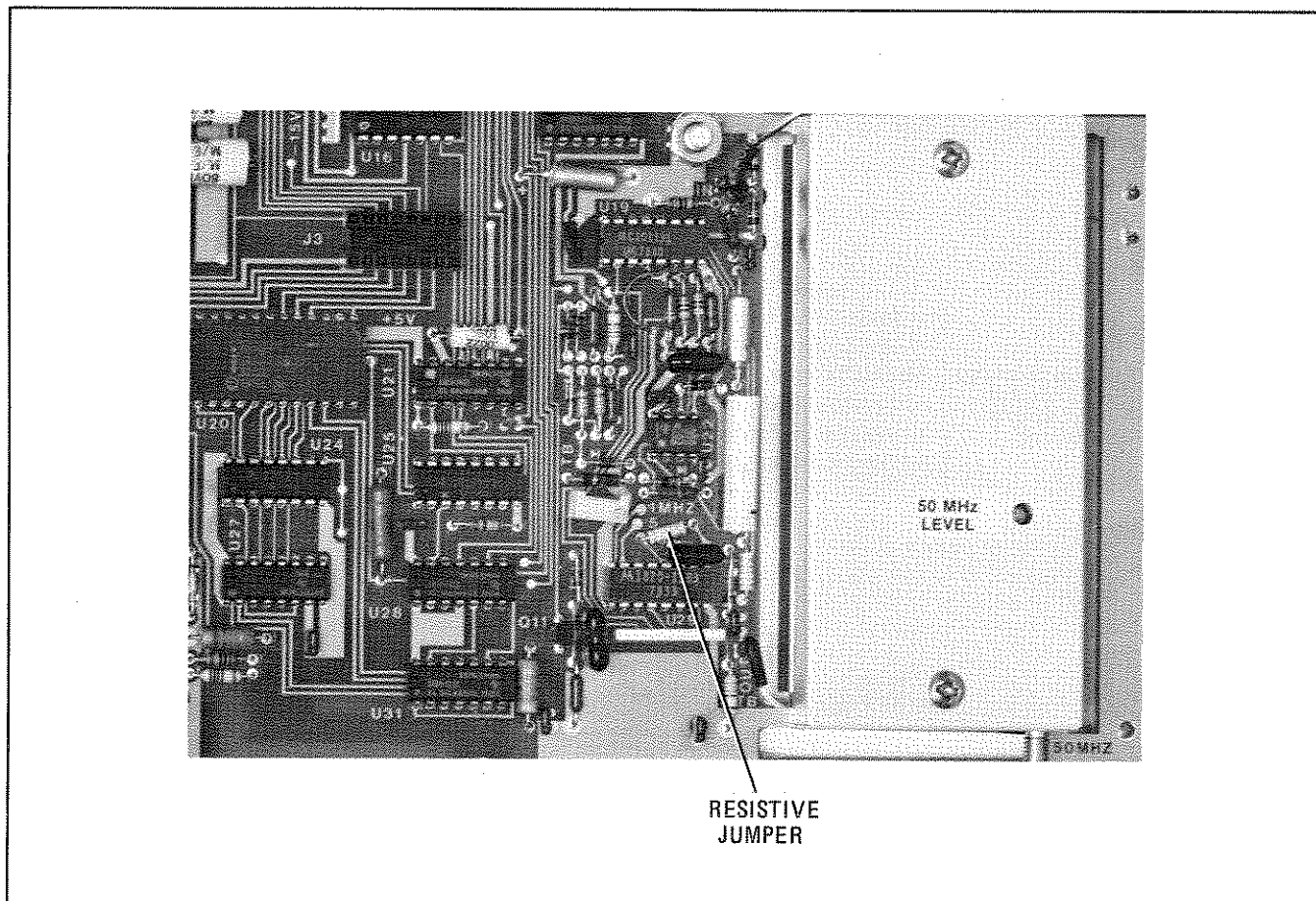
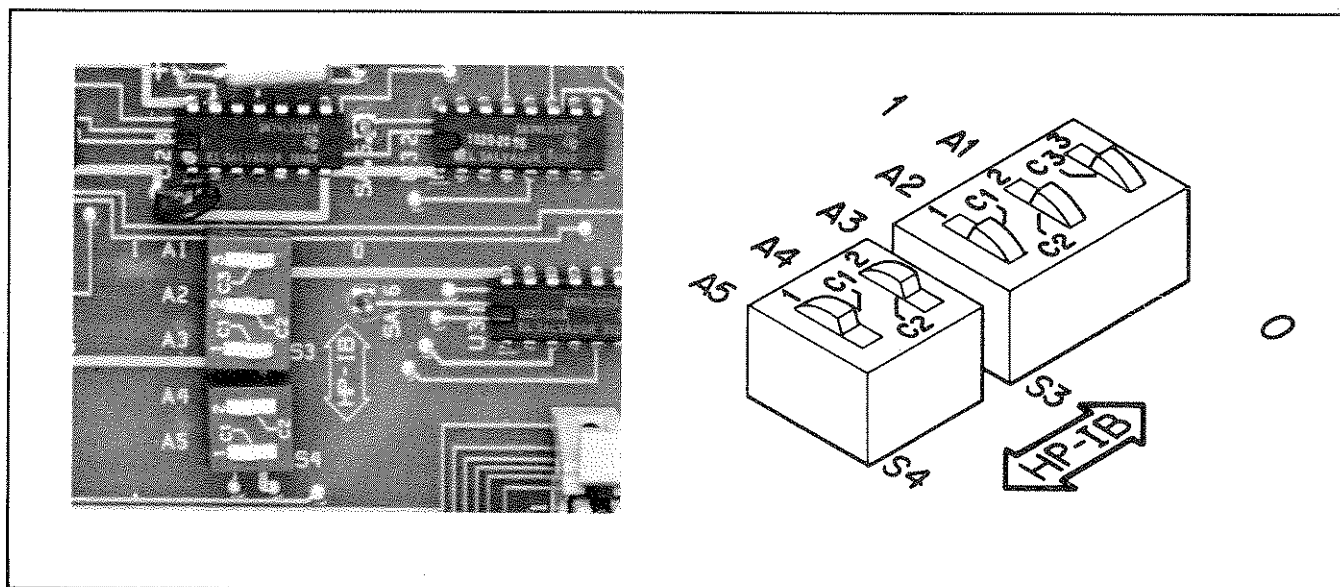
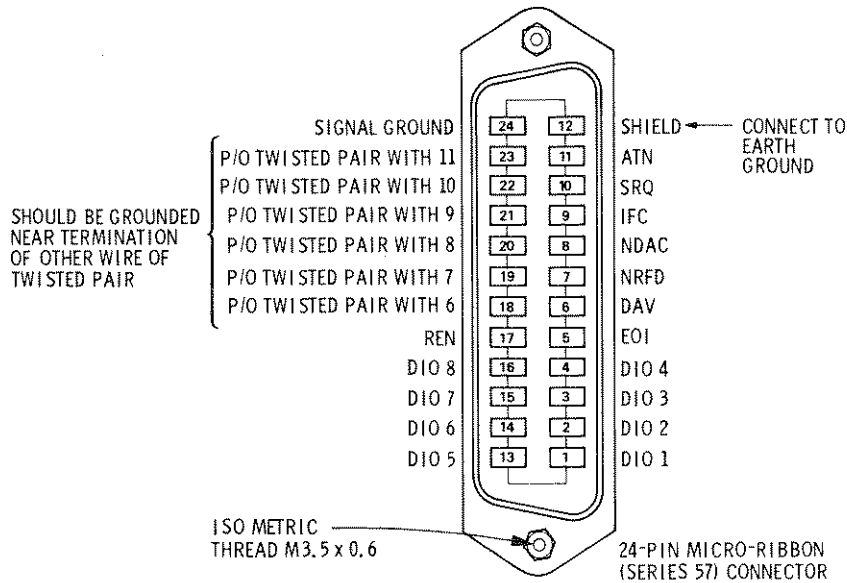


Figure 2-3. Time Base Jumper Location



HP-IB Figure 2-4. HP-IB Address Switch Location and Settings



**Logic Levels**

The Hewlett-Packard Interface Bus Logic Levels are TTL compatible, i.e., the true (1) state is 0.0 Vdc to +0.4 Vdc and the false (0) state is +2.5 Vdc to +5.0 Vdc.

**Programming and Output Data Format**

Refer to Section III, Operation.

**Mating Connector**

HP 1251-0293; Amphenol 57-30240.

**Mating Cables Available**

HP 10833A, 1 metre (3.3 ft), HP 10833B, 2 metres (6.6 ft)  
 HP 10833C 4 metres (13.2 ft), HP 10833D, 0.5 metres (1.6 ft)

**Cabling Restrictions**

1. A Hewlett-Packard Interface Bus system may contain no more than 2 metres (6.6 ft) of connecting cable per instrument.
2. The maximum accumulative length of connecting cable for any Hewlett-Packard Interface Bus system is 20.0 metres (65.6 ft).

Figure 2-5. Hewlett-Packard Interface Bus Connections

**Rack Mounting (Cont'd)**

Rack mounting information is provided with the rack mounting kits. If a kit was not ordered with the Signal Generator as an option, it may be ordered through the nearest Hewlett-Packard office. Slide rack mount kits are discussed in the following paragraphs; refer to paragraph 1-11, Mechanical Options, in Section I for information and part numbers pertaining to other rack mount kits.

Slide rack mount kits allow the convenience of rack mounting with the flexibility of easy access. The slide kits for the Signal Generator are listed below.

- Standard Slide Kit for HP rack enclosures ..... HP 1494-0018
- Standard Tilt Slide Kit for HP rack enclosures ..... HP 1494-0025
- Slide Adapter Bracket Kit for Standard Slides (for non HP rack enclosures).... HP 1494-0023

**2-14. STORAGE AND SHIPMENT**

**2-15. Environment**

The instrument should be stored in a clean, dry environment. The following environmental limitations apply to both storage and shipment.

- Temperature ..... -55°C to +75°C
- Humidity ..... <95% relative
- Altitude..... 15 300 metres (50 000 feet)

**2-16. Packaging**

**Original Packaging.** Containers and materials identical to those used in factory packaging are

available through Hewlett-Packard offices. If the instrument is being returned to Hewlett-Packard for servicing, attach a tag indicating the type of service required, return address, model number, and full serial number. Also, mark the container FRAGILE to assure careful handling. In any correspondence, refer to the instrument by model number and full serial number.

**Other Packaging.** The following general instructions should be used for repackaging with commercially available materials.

- a. Wrap the instrument in heavy paper or plastic. (If shipping to a Hewlett-Packard office or service center, attach a tag indicating the type of service required, return address, model number, and full serial number).
- b. Use a strong shipping container. A double-wall carton made of 2.4 MPa (350 psi) test material is adequate.
- c. Use enough shock-absorbing material (75 to 100 millimetre layer; 3 to 4 inches) around all sides of the instrument to provide a firm cushion and to prevent movement in the container. Protect the front panel with cardboard.
- d. Seal the shipping container securely.
- e. Mark the shipping container FRAGILE to assure careful handling.



## SECTION III OPERATION

### 3-1. INTRODUCTION

This section provides complete operating information for the Signal Generator. Included are both general and detailed operating instructions; detailed descriptions of each front and rear panel key, connector, switch, and display; information on remote operation; operator's checks; and operator's maintenance procedures.

### 3-2. Operating Characteristics

Table 3-2 briefly summarizes the major operating characteristics of the Signal Generator. This table is not intended to be an in-depth listing of all characteristics. For more detailed information on the Signal Generator's characteristics, refer to Table 1-1, Specifications and Table 1-2, Supplemental Characteristics. For information on the instrument's HP-IB capabilities, refer to the summary contained in Table 3-4, HP-IB Message Reference Table.

### 3-3. Local Operation

Information covering front panel operation of the Signal Generator is presented in five areas of this section, namely Simplified Front Panel Features, Simplified Operation, General Operating Instructions, Detailed Panel Features, and Detailed Operating Instructions.

**Simplified Front Panel Features.** Figure 3-1 on the backside of this foldout illustrates the front panel of the Signal Generator and provides simplified descriptions of each key, connector, switch, and display. In addition, references are provided to the more detailed descriptions.

**Simplified Operation.** The instructions on the backside of this foldout provide a quick introduction to front panel operation of the Signal Generator. These instructions are designed to rapidly acquaint the novice user with the basic operation of the instrument. Included are instructions for setting carrier functions, setting modulation functions, and changing parameter values. This is a good starting point for the first-time user. Table 3-3 provides an index (in functional order) to the detailed operating instructions. This index is intended to direct the user to the more complete oper-

ating instructions which are arranged alphabetically at the end of this section.

**General Operating Instructions.** Instructions relating to the Signal Generator's power-on procedure, power-on sequence, various keystroke sequences, and time base selection are presented to acquaint the user with the general operation of the instrument.

**Detailed Panel Features.** Front and rear panel features are described in detail in Figures 3-2 through 3-7.

**Detailed Operating Instructions.** The detailed operating instructions present the most comprehensive information about all of the Signal Generator's functions. These instructions are arranged alphabetically by subject and are included at the end of this section for easy reference. They are indexed in functional order in Table 3-3.

### 3-4. Remote Operation

The Signal Generator is capable of remote operation via the Hewlett-Packard Interface Bus. Knowledge of local operation is essential for HP-IB programming since most of the data messages contain the same keystroke-like sequences. HP-IB information is presented in the following areas of this section:

- a. General HP-IB information begins with paragraph 3-17.
- b. A summary of HP-IB capabilities is provided in Table 3-4.
- c. A summary of program codes is provided in Tables 3-8 and 3-9.
- d. Detailed information relating to the Signal Generator's HP-IB programmable features together with tables and examples of associated program codes are presented in the detailed operating instructions which are arranged alphabetically at the end of this section.

### 3-5. Operator's Checks

Operator's checks are simple procedures designed to verify that the main functions of the Signal

Generator operate properly. Two procedures are provided, one for basic (front panel) functional checks and the other for HP-IB functional checks.

**Basic Functional Checks.** This procedure requires only a frequency counter, a spectrum analyzer, and the interconnecting cables and adapters. It provides assurance that most of the front panel controlled functions are being properly executed by the Signal Generator.

**HP-IB Functional Checks.** This series of procedures requires only an HP-IB compatible computing controller and an HP-IB interface with its interconnecting cable. These procedures assume that front panel operation has been previously verified, that is, that the basic functional checks have been previously performed. The procedures check all of the applicable bus messages summarized in Table 3-4.

### 3-6. Operator's Maintenance

The only maintenance that the operator should normally perform is the replacement of the primary power fuse. All other maintenance should be referred to qualified service personnel.

### 3-7. GENERAL OPERATING INSTRUCTIONS

#### WARNINGS

*Before the Signal Generator is switched on, all protective earth terminals, extension cords, autotransformers, and devices connected to it should be connected to a protective earth grounded socket. Any interruption of the protective earth grounding will cause a potential shock hazard that could result in personal injury.*

*For continued protection against fire hazard, replace the line fuse, with only a 250V slo-blo fuse of the same rating. Do not use repaired fuses or short circuited fuseholders.*

#### CAUTIONS

*Before the Signal Generator is switched on, it must be set to the same line voltage as the power source or damage to the instrument may result.*

*The Signal Generator is protected against reverse power applications up to 50 watts; however, for greatest protection of expensive internal components be careful not to apply any reverse power to the RF OUTPUT connector.*

### 3-8. Power-On Procedure

The Signal Generator has a standby state and an on state. Whenever the power cable is plugged in, the internal power supply is activated. If the instrument is equipped with the high stability reference (Option 001), the oven will be energized to keep the reference oscillator stable. If the Signal Generator is already plugged in, set the RESET/STBY/ON switch to ON. If the power cable is not plugged in, follow these instructions:

before  
stroke

7 and  
func-  
nains  
f any  
ill be  
output

WS:

ed using the  
r step down  
TUNE key  
.0 each time  
ing value to  
fect of these

d for either  
changed so  
be displayed

Table 3-3. Index of Detailed Operating Instructions

Instruction	Page	Instruction	Page
Frequency .....	3-39	Modulation, Mixed .....	3-55
Frequency, Coarse and Fine Tune .....	3-41	Modulation, Off .....	3-59
Frequency, Up/Down .....	3-43		
Amplitude .....	3-32	Increment Value Change .....	3-46
Amplitude Conversion .....	3-34	Increment Value Display .....	3-48
Amplitude, Up/Down .....	3-36		
Modulation, AM .....	3-49	Display .....	3-37
Modulation, AM Up/Down .....	3-50	Display Sequence .....	3-38
Modulation, External Source .....	3-51	Recall .....	3-61
Modulation, FM .....	3-52	Sequence .....	3-62
Modulation, FM Up/Down .....	3-54	Store .....	3-63
		HP-IB Address Display .....	3-44

The actual detailed operating instructions are arranged in alphabetical order at the end of this section.



**Modulation Keystroke Sequence.** Internal, external, or mixed AM or FM functions can be selected. Modulation parameters are selected in a Source-Function-Data-Units format. The modulation source, either one of the two internal modulation signals (400 Hz or 1 kHz) and/or a signal from an external modulation source (ac coupled through the front panel connector), may be selected before or after the AM depth or FM peak deviation frequency parameters are selected. The internal 400 Hz or 1 kHz modulation source will be common to both AM and FM functions whenever they are simultaneously selected.

**Store-Recall-Display Keystroke Sequence.** Up to ten complete front panel settings (exclusive of increment values) can be stored for either selectable or sequential recall at a later time. Stored front panel settings can also be displayed without actually changing the output signal. A two keystroke sequence is necessary to store, recall, or display front panel settings. First, the desired function is entered followed by a numeric entry (0—9). This numeric entry represents the location of the internal storage register.

### 3-11. Time Base Selection

The Signal Generator is shipped from the factory with an inductive-jumper hard-wired to provide a 10 MHz time base output signal at the rear panel TIME BASE OUTPUT connector. If either a 1 or 5 MHz output signal is desired, this internal inductive-jumper will have to be repositioned. Also, if an external 1 or 5 MHz reference input is to be applied at the rear panel TIME BASE INPUT connector, this internal inductive-jumper will have to be repositioned. In either case, this internal inductive-jumper has to be installed in the position that corresponds to the frequency of the time base input or output signal being used. Refer to paragraph 2-7 for the time base selection procedure.

### 3-12. OPERATOR'S MAINTENANCE

#### WARNING

*For continued protection against fire hazard, replace the line fuse with only a 250V slo-blo fuse of the same rating. Do not use repaired fuses or short circuited fuseholders.*

The only maintenance that the operator should normally perform is the replacement of the primary power fuse located within the Line Power Module — A15. For instructions on how to change the fuse, see Figure 2-1, steps 1 and 3.

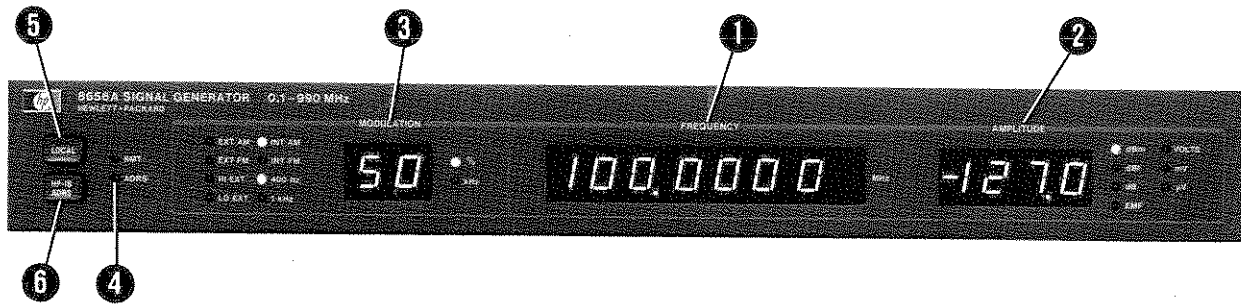
Fuses may be ordered under HP Part Numbers 2110-0305 (1.25A, 250V, slo-blo) for 100/120 Vac operation and 2110-0016 (0.6A, 250V, slo-blo) for 220/240 Vac operation.

### 3-13. DETAILED PANEL FEATURES

The Signal Generator is designed to be simple and easy to operate through the front panel. The front panel primarily consists of 48 pushbutton keys, three digital displays, and 19 LED annunciators. Each key has a single purpose and only one key should ever be pressed at any given time. In most cases, keys are pressed, then released, with the action occurring as the key is pressed. In some cases, a key must be pressed and held for the action to occur. The four main functions of the Signal Generator are selected by the four dark gray colored keys labeled FREQUENCY, AMPTD, AM, and FM. The 27 medium gray colored keys are used to control the modulation source, enter numeric data, and select the unit(s) which terminates the data entry. The 15 light gray colored keys are used to set an increment value for each of the four main functions, change main function parameters by the set increment values, and store up to ten complete front panel settings (exclusive of increment values) for either selectable or sequential recall or display at a later time. The two remaining dark gray colored keys (located in the upper left-hand corner of the front panel) select local operation and display the internally-set, decimal HP-IB address.

The three digital displays show the frequency of the carrier in megahertz (the least significant or eighth digit will either be blanked or a numeral 5 depending on the frequency selected), the output amplitude of the carrier in one of fourteen possible units, and the percentage of AM depth or frequency of FM peak deviation used to modulate the carrier. In addition, the FREQUENCY Display can show the value of the carrier frequency increment; the AMPLITUDE Display can show the value of the output amplitude increment or current contents of the internal sequence counter; and the MODULATION Display can show the value of the modulation increment or internally-set, decimal HP-IB address.

The 19 LED annunciators are used to indicate remote operation status, internal or external modulation source and unit information, and amplitude unit information. All of the front and rear panel features are described in detail in Figures 3-2 through 3-7.



### 1 FREQUENCY Display

The FREQUENCY Display provides an 8 digit display of carrier frequency from 10 kHz to 990 MHz with a resolution of 100 Hz or 250 Hz. Carrier frequencies are always displayed in megahertz. Any selected frequency between 10 kHz and 100 kHz will result in an uncalibrated output amplitude. When the selected carrier frequency is a multiple of 100 Hz, the resolution will be 100 Hz and the least significant (eighth) digit will be blanked. In cases where the selected carrier frequency is a multiple of 250 Hz, the resolution will be 250 Hz and the least significant digit will be a 5. Digits selected beyond the specified resolution will be truncated and leading zeros will be blanked.

The FREQUENCY Display is also used to display the value stored in the internal carrier frequency increment register. This stored value is used in conjunction with the step up and step down keys associated with the frequency function to change the carrier frequency.

### 2 AMPLITUDE Display

The AMPLITUDE Display provides a 3-1/2 digit display of output amplitude from +17 to -127 dBm with a resolution of 0.1 dB. Amplitude levels are displayed in dBm, dBf, V, mV, and  $\mu$ V, while relative levels are displayed in dB and EMF. Calibrated levels from +13 to -127 dBm are possible with overrange to the maximum available power (amplitude set to +17 dBm). Digits selected beyond the specified resolution will be truncated and leading zeros will be blanked.

The AMPLITUDE Display is also used to display the value stored in the internal output amplitude increment register. This stored value is used in conjunction with the step up and step down keys associated with the amplitude function to change the output amplitude.

Further, the least significant digit of the AMPLITUDE Display is used to display the stored contents of the internal sequence counter.

Also, whenever a reverse power condition is detected, all segments and all seven LED annunciators associated with the AMPLITUDE Display will flash until the source of reverse power is removed and the AMPTD key is pressed.

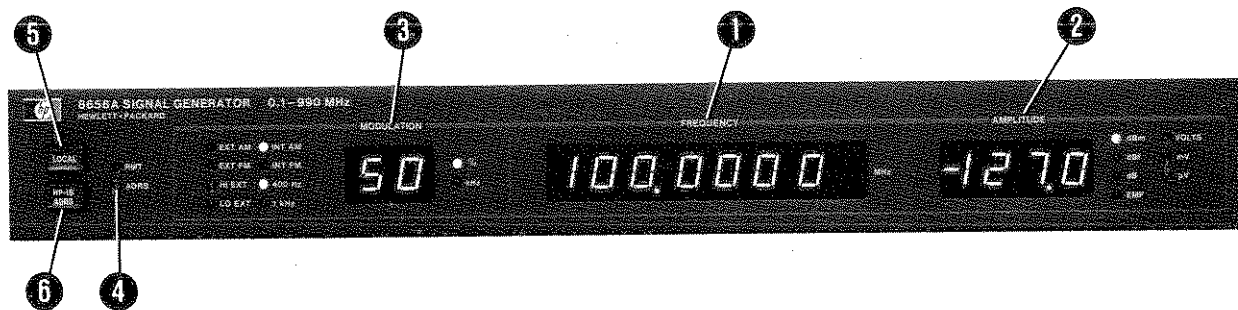
Seven LED annunciators are used to display output amplitude unit information. Fourteen unit combinations are possible which will cause one or more LED's to light. The valid output amplitude units are listed as follows:

dBm	dB $\mu$ V	V	EMF mV
dBf	dB EMF V	mV	EMF $\mu$ V
dB V	dB EMF mV	$\mu$ V	
dB mV	dB EMF $\mu$ V	EMF V	

### 3 MODULATION Display

The MODULATION Display provides a 2 digit display of AM depth from 0 to 99% with a resolution of 1% or FM peak deviation frequency from 0 to 99 kHz with a resolution of 0.1 kHz (for deviations <10 kHz) or 1 kHz (for deviations  $\geq$ 10 kHz). AM depth is always displayed in percent,

Figure 3-2. Display and Remote Features (1 of 2)



### 3 MODULATION Display (Cont'd)

and FM peak deviation frequency is always displayed in kHz. Digits selected beyond the specified resolution will be truncated and leading zeros will be blanked.

If one modulation parameter is being displayed when the other modulation function is selected, the MODULATION Display will be updated to display the newly selected parameter. Selecting the other function will restore the original display.

If a change in carrier frequency causes the FM peak deviation frequency allowed for that frequency band to be exceeded, the MODULATION Display will flash until a carrier frequency within the correct band is selected or the FM, FM step up, or FM step down key is pressed. In this later case, the maximum FM peak deviation frequency permitted for the currently selected carrier frequency will automatically be selected.

The MODULATION Display is also used to display the values stored in the internal AM depth and FM peak deviation frequency increment registers. These stored values are used in conjunction with the step up and step down keys associated with the modulation functions to change the percentage of AM depth or FM peak deviation frequency.

Further, the MODULATION Display is used to display the internally-set, decimal HP-IB address. HP-IB addresses from 0 to 30 (decimal) are valid, all others will be interpreted as 30. (Refer to Section II, Installation when changing the HP-IB address.)

Ten LED annunciators are used to display internal and external modulation source information. The HI EXT and LO EXT annunciators serve as an aid in adjusting the level of the external modulation source. They indicate that the input level is too high or too low for a calibrated display of AM depth or FM peak deviation frequency. The HI EXT annunciator will light if the external modulation signal is greater than 1.02 Vpk (0.721 Vrms), and the LO EXT annunciator light if the signal is less than 0.98 Vpk (0.693 Vrms). Both annunciators will be off when the input level is 1.00  $\pm$  0.02 Vpk (0.707  $\pm$  0.014 Vrms).

### 4 Remote Annunciators

Two LED annunciators are used to display remote operation status. The RMT annunciator lights when the instrument is in remote operation. The ADRS annunciator lights when the instrument has been addressed to listen via the bus (regardless of whether or not the instrument is in remote operation).

### 5 LOCAL Key

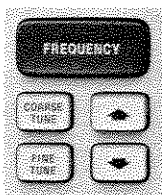
The LOCAL key returns the instrument to local operation (full front panel control) from remote operation provided that it is not in Local Lockout.

### 6 HP-IB ADRS Key

The HP-IB ADRS key is used to display the internally-set, decimal HP-IB address in the MODULATION Display.

Figure 3-2. Display and Remote Features (2 of 2)

### CARRIER Keys

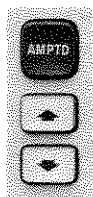


The **FREQUENCY** key is one of the four main function keys. It is used in conjunction with the numeric entry keys, decimal point key, and **UNITS** entry keys to enter carrier frequency parameters. In addition, it is used in conjunction with the **INCR SET** key to enter carrier frequency increment values.

The step up and step down keys associated with the frequency function permit the carrier frequency to be changed by the value stored in the internal carrier frequency increment register. The value of the carrier frequency increment initially stored is 10.0000 MHz. Its minimum value is 100 Hz, and its maximum value is  $\leq 989.99$  MHz. The carrier frequency will be changed once for each keystroke or repeatedly if either key remains pressed.

The **COARSE TUNE** and **FINE TUNE** keys are used in conjunction with the frequency step up and step down keys to tune the carrier frequency. They are used to increase (**COARSE TUNE**) or decrease (**FINE TUNE**) the carrier frequency tuning value by a factor of 10. The affect of these keys is disabled and the original carrier frequency increment value is enabled when the **INCR SET** key is pressed.

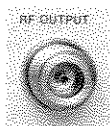
If a change in carrier frequency causes the FM peak deviation frequency allowed for that frequency band to be exceeded, the **MODULATION Display** will flash until a carrier frequency within the correct band is selected or the **FM**, **FM step up**, or **FM step down** key is pressed. In this later case, the maximum FM peak deviation frequency permitted for the currently selected carrier frequency will automatically be selected.



The **AMPTD** key is one of the four main function keys. It is used in conjunction with all of the **Data** and **UNITS** entry keys to enter output amplitude parameters. In addition, it is used in conjunction with the **INCR SET** key to enter output amplitude increment values. Further, it is used to reset the internal reverse power protection feature once the source of reverse power has been removed.

The step up and step down keys associated with the amplitude function permit the output amplitude to be changed by the value stored in the internal output amplitude increment register. The value of the output amplitude increment initially stored is 10.0 dB. Its minimum value is 0.1 dB (0.001  $\mu$ V or 0.001 EMF V), and its maximum value is  $\leq 144.0$  dB ( $\leq 1.57$ V or  $\leq 3.15$  EMF V). The output amplitude will be changed once for each keystroke or repeatedly if either key remains pressed.

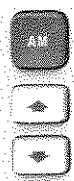
### RF OUTPUT Connector



Female type-N connector (J2) provides access to the RF output signal. Specified output levels are +13 to -127 dBm (+1.00V to +.100  $\mu$ V) with a minimum resolution of 0.1 dBm. Nominal impedance is 50 ohms. Reverse power protection is provided up to 50W and 25 Vdc. Pressing the **AMPTD** key restores RF output signal once the source of reverse power has been removed.

Figure 3-3. Carrier Features

### MODULATION Keys



The AM key is one of the four main function keys. It is used in conjunction with the SOURCE keys, numeric entry keys, and UNITS entry keys to enter amplitude modulation parameters. In addition, it is used in conjunction with the INCR SET key to enter AM depth increment values. If the FM peak deviation frequency is being displayed when the AM key is pressed, the MODULATION Display will be updated to show the percentage of AM depth. The default modulation source (internal 1 kHz) will automatically be selected when the AM key is pressed, if no other source has been selected.

The step up and step down keys associated with the AM function permit the percentage of AM depth to be changed by the value stored in the internal AM depth increment register. The value of the AM depth increment initially stored is 1%. This is its minimum value. Its maximum value is  $\leq 99\%$ . The percentage of AM depth will be changed once for each keystroke or repeatedly if either key remains pressed.



The FM key is one of the four main function keys. It is used in conjunction with the SOURCE keys, numeric entry keys, and UNITS entry keys to enter frequency modulation parameters. In addition, it is used in conjunction with the INCR SET key to enter FM peak deviation frequency increment values. If the percentage of AM depth is being displayed when the FM key is pressed, the MODULATION Display will be updated to show the FM peak deviation frequency. The default modulation source (internal 1 kHz) will automatically be selected when the FM key is pressed, if no other source has been selected.

The step up and step down keys associated with the FM function permit the FM peak deviation frequency to be changed by the value stored in the internal FM peak deviation frequency increment register. The value of the FM peak deviation frequency increment initially stored is 1.0 kHz. Its minimum value is 0.1 kHz, and its maximum value is  $\leq 99$  kHz. The FM peak deviation frequency will be changed once for each keystroke or repeatedly if either key remains pressed.

If an out of range condition exists (MODULATION Display flashing), pressing either the step up, step down, or FM key will automatically select the maximum FM peak deviation frequency permitted for the currently selected carrier frequency.

### SOURCE Keys



The INT 400 Hz, INT 1 kHz, EXT, and OFF keys are used to select the internal 400 Hz or 1 kHz modulation source, enable an external source to be applied through the front panel MOD INPUT/OUTPUT connector, or disable one or all selected modulation sources.

The internal modulation signal is available at the MOD INPUT/OUTPUT connector when either the 400 Hz or 1 kHz modulation source is selected and the external source is not selected.

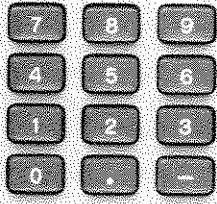
### MOD INPUT/OUTPUT Connector



Female BNC connector (J1) accepts either an external modulation signal or a digital unscquelching signal. In addition, it provides access to the 400 Hz or 1 kHz modulation signal from the internal audio oscillator. Source selection is provided by the four MODULATION SOURCE keys. Nominal input impedance is 600 ohms. External input rates are ac coupled with 1 dB of bandwidth. The input signal should be 25 Hz to 25 kHz at 1 Vpk (0.707 Vrms)  $\pm 5\%$  minimum into a 600 ohm resistive load to produce calibrated AM depths or FM peak deviations. The HI EXT and LO EXT annunciators provide an indication of the input level available for calibrated modulation. If greater accuracy is required, the signal level should be measured externally.

Figure 3-4. Modulation Features

### Data Entry Keys



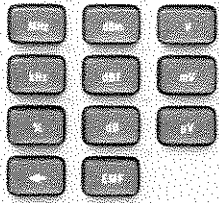
The Data entry keys consist of ten numeric entry keys (0-9), a decimal point key, and a minus sign key.

The ten numeric entry keys are used in conjunction with the four main function keys to enter value-selectable parameters, with the INCR SET key to enter increment values, and with the STORE-RECALL-DISPLAY keys to select one of the ten internal storage registers.

The decimal point key is used to add a decimal point to the numeric entry. A leading zero will be displayed, if the decimal point is added before the numeric entry for carrier frequencies less than 1 MHz and output amplitudes less than  $\pm 1$  dBm.

The minus sign key is only used when making amplitude Data entries and it can be used at any time before the final UNITS terminator entry is made.

### UNITS Entry Keys



The UNITS entry keys consist of ten terminator keys and a backspace (←) key.

The ten terminator keys are used in conjunction with the four main function keys to terminate Data entries. They are also used in conjunction with the INCR SET key to terminate increment value entries.

Frequency entries are always adjusted so that they are displayed in megahertz, even though kHz is a valid terminator.

Fourteen amplitude terminator combinations are possible. They are listed as follows:

- dBm
- dBf
- dB V
- dB mV
- dB  $\mu$ V
- dB EMF V
- dB EMF mV
- dB EMF  $\mu$ V
- V
- mV
- $\mu$ V
- EMF V
- EMF mV
- EMF  $\mu$ V

AM entries are always terminated in %, and FM entries are always terminated in kHz.

The backspace key is used to clear the last digit or decimal point visible in a display to permit the entry to be corrected.

Figure 3-5. Data and Units Entry Features

### STORE-RECALL-DISPLAY-SEQUENCE Keys



Four keys used to store up to ten complete front panel setups (exclusive of increment values) for either selectable or sequential recall or display at a later time. When the Signal Generator is powered up or reset, the initialized conditions of the instrument are stored in each of the ten internal storage registers. That is, the parameter values for a carrier frequency of 100 MHz with an output amplitude of -127 dBm and no modulation will be stored in each location.

When the STORE key is used in conjunction with a numeric entry key (a single digit register number 0—9), the current front panel settings (exclusive of increment values) will be stored in an internal storage register.

When the RECALL key is used in conjunction with a numeric entry key (a single digit register number 0—9), the stored contents will be recalled and the output of the Signal Generator will be changed so that it agrees with the recalled parameter values.

When the DISPLAY key is used in conjunction with a numeric entry key (a single digit register number 0—9), the stored contents will be displayed, but the actual output of the Signal Generator will not be affected.

The SEQ key is used to sequence the Signal Generator through each of its ten internal storage registers. As the stored contents are sequentially recalled, the output will be changed so that it agrees with the recalled parameter values.

When the DISPLAY key is used in conjunction with the SEQ key, the stored contents of the internal sequence counter will be displayed in the least significant digit of the AMPLITUDE Display.

### INCR SET Key



A single key used in conjunction with any one of the four main function keys to store an increment value for that function. The initialized value of each stored increment is listed as follows:

Carrier Frequency	10.0000 MHz
Output Amplitude	10.0 dB
AM Depth	1%
FM Peak Deviation Frequency	1.0 kHz

The minimum allowable increment value for each of the four main functions is listed as follows:

Carrier Frequency	0.1 kHz
Output Amplitude	0.1 dB
AM Depth	1%
FM Peak Deviation Frequency	0.1 kHz

Figure 3-6. Miscellaneous Features (1 of 2)

### INCR SET Key (Cont'd)

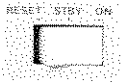
The maximum allowable increment value for each of the four main functions is listed as follows:

Carrier Frequency	≤ 989.99 MHz
Output Amplitude	≤ 144.0 dB
AM Depth	≤ 99%
FM Peak Deviation Frequency	≤ 99 kHz

The stored value of the increment will be displayed in the display associated with the selected function as long as the INCR SET key remains pressed.

The frequency coarse tune and fine tune feature will be disabled and the original carrier frequency increment value will be restored when the INCR SET key is pressed.

### RESET/STBY/ON Switch



Three position rocker switch used to control the operating state of the internal microprocessor. The Signal Generator (and its optional reference oscillator) will remain energized and the fan will continue to operate as long as the power cord is connected to Mains power.

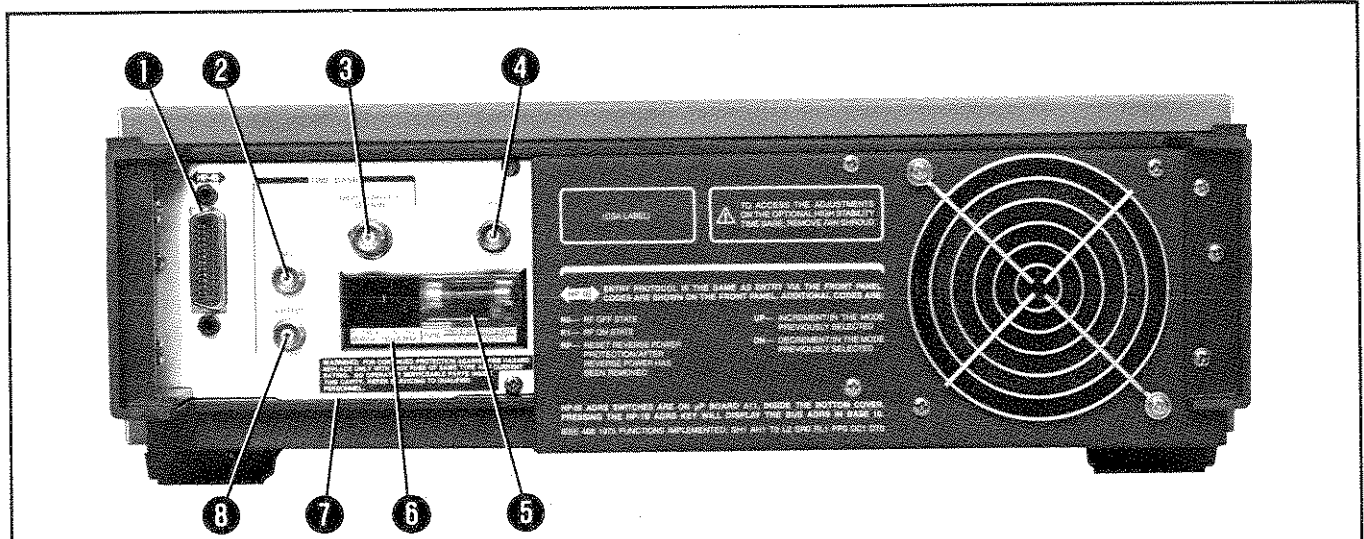
When momentarily set to RESET, the microprocessor will be halted. Upon release, the microprocessor will initiate its restart operation.

When set to STBY, the microprocessor will initiate an RF quieting operation in which all displays are blanked, the high frequency section is turned off, all attenuator sections (120 dB) are switched in, the internal audio oscillator is turned off, and the instrument will not respond to any HP-IB commands.

When set to ON (return from STBY), the operating state of the instrument (prior to entering the standby state) will be restored. Refer to paragraph 3-9 for information regarding the power-on sequence.

Figure 3-6. Miscellaneous Features (2 of 2)





**NOTE**

For Option 002 instruments, the RF OUTPUT and MOD INPUT/OUTPUT connectors are located on the rear panel. The RF OUTPUT connector is above ② Time Base Input while the MOD INPUT/OUTPUT connector replaces ④ SEQ. Refer to Figures 3-3 and 3-4 for detailed information concerning the signals found at these ports.

**① HP-IB Connector**

24-pin female connector used to connect the Signal Generator to the Hewlett-Packard Interface Bus for remote operation. Connection information is presented in Section II, Installation.

**② TIME BASE INPUT**

Female BNC connector (J3) accepts an external 1, 5, or 10 MHz ( $\pm 0.005\%$ ) time base reference input at a level of 0.2 to 0.4 Vrms into 50 ohms. Internal jumper must be installed in the position that corresponds to the external time base reference input used (refer to paragraph 2-7).

**③ TIME BASE HIGH STABILITY OPTION**

Female BNC connector (A16J1) provides access to the optional 10 MHz time base reference output. With Option 001 installed and its output connected to the TIME BASE INPUT connector through the supplied cable (not shown), the frequency accuracy and stability of the Signal Generator will be increased. The optional reference oscillator is kept at operating temperature in the STBY mode as long as the Signal Generator remains connected to Mains power.

**④ SEQ**

Female BNC connector (J5) accepts external contact closure (from foot pedal, pushbutton switch, etc.) which causes the Signal Generator to sequentially

recall the stored contents (exclusive of increment settings) from each of its ten internal storage registers.

**⑤ Fuse**

1.25A, 250V, Slo-Blo for 100/120 Vac operation. 0.6A, 250V, Slo-Blo for 220/240 Vac operation. Ordering information is presented in Section II, Installation.

**⑥ Line Power Module**

Permits operation from 100, 120, 220, or 240 Vac. The number visible in the window indicates nominal line voltage to which the instrument must be connected (see Figure 2-1). Center conductor is safety earth ground.

**⑦ Serial Number Plate**

First four digits and letter constitute the prefix which defines the instrument configuration. The last five digits form a sequential suffix that is unique to each instrument. The plate also indicates any options supplied with the instrument.

**⑧ TIME BASE OUTPUT**

Female BNC connector (J4) provides access to an internal 10 MHz time base reference output at a level greater than 0.2 Vrms into 50 ohms which is derived from the internal reference oscillator. An internal jumper may be repositioned to select either a 1 or 5 MHz reference output (refer to paragraph 2-7).

Figure 3-7. Rear Panel Features

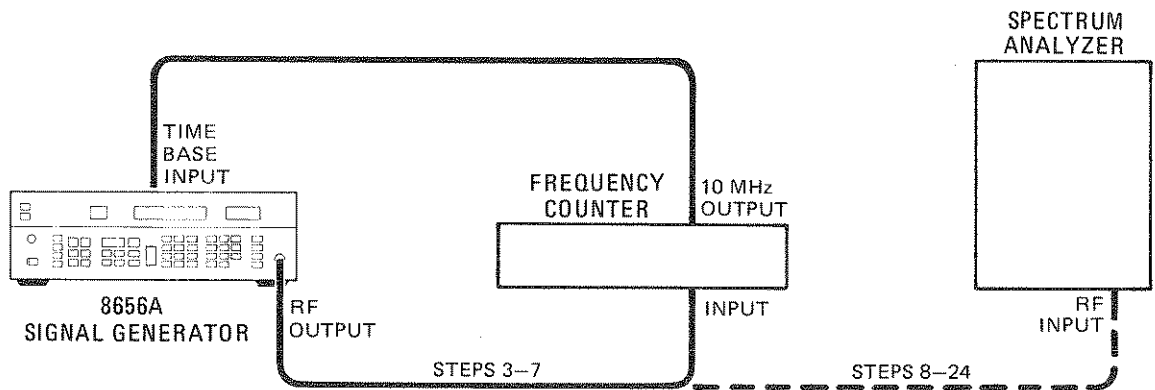
**OPERATOR'S CHECKS**

**3-14. OPERATOR'S CHECKS**

Operator's checks are simple procedures designed to verify that the main functions of the Signal Generator operate properly. Two procedures are provided, one for basic (front panel) functional checks and the other for HP-IB functional checks.

**3-15. Basic Functional Checks**

**DESCRIPTION:** This procedure requires only a frequency counter, a spectrum analyzer, and the inter-connecting cables and adapters. It provides assurance that most of the front panel controlled functions are being executed by the Signal Generator.



**Figure 3-8. Test Setup for Basic Functional Checks**

**EQUIPMENT:** Frequency Counter .....HP 5328A Option 031  
 Spectrum Analyzer .....HP 8558B/182T

**PROCEDURE: Preliminary Checks**

1. Ensure that the power cable is plugged into a suitable source of Mains power (refer to paragraph 2-4).
2. Momentarily press and release the left-hand side of the RESET/STBY/ON switch to initialize the Signal Generator, then set the switch back to ON.

An internal memory check will be initiated to test for a failure in ROM (read-only memory) and in RAM (read-write memory). All front panel indicators will light for approximately 1.5 seconds to provide a quick visual inspection of each front panel annunciator and display segment.

If a memory failure is detected, all front panel annunciators and display segments will remain lit until any front panel key is pressed. If the memory check was successful, the front panel indicators will display a carrier frequency of 100.0000 MHz, an output amplitude of -127.0 dBm, and no modulation. Only the dBm annunciator will be lit, all of the others be off.

3. Connect the RF OUTPUT of the Signal Generator to the input of the frequency counter and the 10 MHz reference output from the frequency counter to the TIME BASE INPUT located at the rear of the Signal Generator as shown in Figure 3-8.

---

**OPERATOR'S CHECKS**

---

**3-15. Basic Functional Checks (Cont'd)**

Connecting the 10 MHz reference output of the frequency counter to the TIME BASE INPUT of the Signal Generator will phase lock the two instruments to the same time base reference.

**NOTE**

*If the Signal Generator is equipped with the high stability time base (Option 001), disconnect its cable from the TIME BASE INPUT before performing this step.*

**Frequency Check**

4. Set the output amplitude of the Signal Generator to -10.0 dBm and the carrier frequency to the values listed in the following table:

Carrier Frequency (MHz)
100.0000
140.0000
200.0000
300.0000
400.0000
600.0000
800.0000
990.0000

Verify that the FREQUENCY Display on the Signal Generator agrees with the frequency displayed on the frequency counter (except for the resolution of the frequency counter being used).

5. Set the carrier frequency of the Signal Generator to 111.1111 MHz and the frequency increment value to 111.1111 MHz. Leave the output amplitude set at -10.0 dBm.

Verify that the FREQUENCY Display on the Signal Generator agrees with the frequency displayed on the frequency counter.

6. Quickly press and release the frequency step up key to increase the carrier frequency.

Verify that the FREQUENCY Display on the Signal Generator agrees with the frequency displayed on the frequency counter.

**OPERATOR'S CHECKS**

**3-15. Basic Functional Checks (Cont'd)**

Continue to increase the carrier frequency to the maximum value listed in the following table:

Carrier Frequency (MHz)
111.1111
222.2222
333.3333
444.4444
555.5555
666.6666
777.7777
888.8888

Verify that the FREQUENCY Display on the Signal Generator agrees with the frequency displayed on the frequency counter each time the carrier frequency is increased.

7. Quickly press and release the frequency step down key to decrease the carrier frequency.

Verify that the FREQUENCY Display on the Signal Generator agrees with the frequency displayed on the frequency counter.

Continue to decrease the carrier frequency to the minimum value listed in the previous table.

Verify that the FREQUENCY Display on the Signal Generator agrees with the frequency displayed on the frequency counter each time the carrier frequency is decreased.

**Output Level Checks**

8. Connect the RF OUTPUT of the Signal Generator to the input of the spectrum analyzer as shown in Figure 3-8.
9. Set the output amplitude of the Signal Generator to 0.0 dBm, carrier frequency to 0.1 MHz, and frequency increment value to 10 MHz.
10. Set the amplitude scale of the spectrum analyzer to display 1 dB/division and make the necessary adjustments to properly display the output signal from the Signal Generator.

**NOTE**

*This check only verifies level flatness, it does not verify absolute level accuracy.*

11. Slowly increase the carrier frequency through its entire frequency range (0.1 to 990.0000 MHz) and observe the level displayed on the spectrum analyzer. The level should not vary more than a total of 3 dB ( $\pm 1.5$  dB from 0.0 dBm).

---

**OPERATOR'S CHECKS**

---

**3-15. Basic Functional Checks (Cont'd)**

12. Set the carrier frequency of the Signal Generator to 600 MHz, output amplitude to +13 dBm, and output amplitude increment value to 1.0 dB.
13. Adjust the spectrum analyzer as necessary to display the output signal from the Signal Generator. The displayed carrier should be positioned in the center of the graticule with its maximum level positioned near the top of the graticule.
14. Slowly decrease the output amplitude down to -4.0 dBm and observe the level displayed on the spectrum analyzer. The level should decrease in relatively uniform 1 dB steps.
15. Set the output amplitude of the Signal Generator to -10.0 dBm and the output amplitude increment value to 5 dB. Leave the carrier frequency set to 600 MHz.
16. Set the amplitude scale of the spectrum analyzer to display 10 dB/division and make the necessary adjustments to properly display the output signal from the Signal Generator. The displayed carrier should be positioned in the center of the graticule with its maximum level positioned near the top of the graticule.
17. Slowly decrease the output amplitude down to -80 dBm and observe the level displayed on the spectrum analyzer. The level should decrease in relatively uniform 5 dB steps.

**FM Check**

18. Set the output amplitude of the Signal Generator to 0.0 dBm. Leave the carrier frequency set to 600 MHz. Select FM with a peak deviation frequency of 99 kHz using the internal 1 kHz source. Set the FM peak deviation frequency increment value to 1 kHz.
19. Set the spectrum analyzer for a 50 kHz frequency span/division, a resolution bandwidth of 3 kHz, and a reference level of 0 dBm. The waveform displayed should be similar to that shown in Figure 3-9.
20. Slowly decrease the FM peak deviation frequency to zero. The deviation displayed on the spectrum analyzer should decrease in relatively uniform steps.
21. Press FM, then OFF to turn off the FM function.

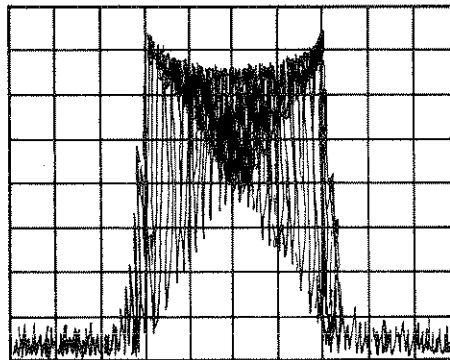


Figure 3-9. FM Functional Check Waveform

---

**OPERATOR'S CHECKS**

---

**3-15. Basic Functional Checks (Cont'd)****AM Check**

22. Leave the carrier frequency set to 600 MHz and the output amplitude set to 0.0 dBm. Select AM with a depth of 50% using the internal 400 Hz source.
23. Set the spectrum analyzer to the linear amplitude mode. Set a frequency span/division of zero. Increase the resolution bandwidth, then fine tune for the maximum level of the demodulated signal. The displayed demodulated signal should be a sine wave with a period of 2.5 ms (400 Hz).
24. Press the INT 1 kHz key to change the frequency of the internal modulation source from 400 Hz to 1 kHz. The displayed demodulated signal should be a sine wave with a period of 1 ms (1 kHz).

**3-16. HP-IB Functional Checks** 

**DESCRIPTION:** The following procedures check the Signal Generator's ability to recognize its own HP-IB (listen) address, properly make remote/local transitions, and process all of the applicable HP-IB messages described in Table 3-4. During the process, all of the Signal Generator's HP-IB data input/output bus, control, and handshake lines are checked, except for DIO8 (the most significant data input/output bus line which is not used by the Signal Generator). Only the Signal Generator, a bus controller, and an HP-IB interface with appropriate cabling are required to perform these procedures. These checks are intended to be as independent of one another as possible, since each begins with the instrument being reset to its initialized condition. Nevertheless, it is suggested that the first four checks be performed in order before any other check. Any special initialization steps or requirements for a given check are provided the beginning of the check.

The validity of these checks is based on the following assumptions:

- The Signal Generator performs properly when operated via the front panel keys (that is, in local operation). This can be verified by performing the basic functional checks as outlined in paragraph 3-15.
- The bus controller properly executes HP-IB operations.
- The bus controller's HP-IB interface properly transfers the controller's instructions.
- The select code of the bus controller's interface is set to 7.
- The HP-IB address of the Signal Generator is set to 07 (the factory-set address).
- The select code address combination (that is, 707) is not necessary for these checks to be valid; however, the program lines presented in the following procedures would have to be modified for any other combination.

If the Signal Generator appears to fail any of the remote functional checks, the validity of the preceding assumptions should be confirmed before attempting to service the instrument.

---



**OPERATOR'S CHECKS**

**3-16. HP-IB Functional Checks (Cont'd)**

If all of these checks are performed successfully, the Signal Generator's HP-IB capability can be considered to be operating properly. These procedures do not check whether or not all of the Signal Generator's program codes are being properly interpreted and executed by the instrument, however, if the front panel operation is confirmed to be working properly and its HP-IB capability operates correctly, then there is a high probability that the Signal Generator will respond properly to all of its program codes.

**INITIAL SETUP:** The test setup is the same for all of the checks. That is, the Signal Generator is connected to the bus controller through the bus controller's HP-IB interface via the appropriate cable.

**EQUIPMENT:** HP-IB Controller .....HP 9825A/98213A (General and Extended I/O ROM's)  
 —or—  
 HP 9835A/98332A (I/O ROM)  
 —or—  
 HP 9845A (I/O ROM)  
 HP-IB Interface .....HP 98034A (use "revised" version with HP 9835A and HP 9845A)

**Address Recognition**

**NOTE** This check determines whether or not the Signal Generator recognizes when it is being addressed and when it is not. It is assumed that the Signal Generator is in local operation and that it can properly handshake on the bus. Before beginning this check, set the RESET/STBY/ON switch to RESET, then back to ON to initialize the instrument.

Description	HP 9825A (HPL)	HP 9835A and HP 9845A (BASIC)
Set the Remote Enable (REN) bus control line false.	lcl 7	LOCAL 7
Send the listen address to the Signal Generator.	wrt 707	OUTPUT 707

**OPERATOR'S RESPONSE** Verify that the Signal Generator's RMT annunciator remains off and that its ADRS annunciator lights.

Unaddress the Signal Generator by sending a different address.	wrt 715	OUTPUT 715
--	---------	------------

**OPERATOR'S RESPONSE** Verify that the Signal Generator's RMT and ADRS annunciators are both off.



**OPERATOR'S CHECKS**

**3-16. HP-IB Functional Checks (Cont'd)**

**Remote and Local Messages and the LOCAL Key**

**NOTE** This check determines whether the Signal Generator properly switches from local to remote operation, switches from remote to local operation, and whether the LOCAL key can return the instrument to local operation. It is assumed that the Signal Generator is able to both handshake and recognize its own address. Before beginning this check, set the RESET/STBY/ON switch to RESET, then back to ON to initialize the instrument.

Description	HP 9825A (HPL)	HP 9835A and HP 9845A (BASIC)
Send the Remote message which sets the Remote Enable (REN) bus control line true and addresses the Signal Generator to listen.	rem 707	REMOTE 707

**OPERATOR'S RESPONSE** Verify that the Signal Generator's RMT and ADRS annunciators both light.

Send the Local message to the Signal Generator.	lcl 707	LOCAL 707
---	---------	-----------

**OPERATOR'S RESPONSE** Verify that the Signal Generator's RMT annunciator turns off and that its ADRS annunciator remains on.

Send the Remote message to the Signal Generator.	rem 707	REMOTE 707
--	---------	------------

**OPERATOR'S RESPONSE** Verify that the Signal Generator's RMT and ADRS annunciators are both on. Press the LOCAL key on the front panel of the Signal Generator and verify that the RMT annunciator turns off and that the ADRS annunciator remains on.

**Data Message**

**NOTE** This check determines whether or not the Signal Generator properly receives Data messages. Because the Signal Generator is only a listener, it can only receive Data messages, but never send them. It is assumed that the Signal Generator is able to handshake, recognize its own address, and properly make remote/local transitions. The Data message that is sent will cause the 7 least significant HP-IB data lines to be placed in both their true and false states. Before beginning this check, set the RESET/STBY/ON switch to RESET, then back to ON to initialize the instrument.





**OPERATOR'S CHECKS**

**3-16. HP-IB Functional Checks (Cont'd)**

Description	HP 9825A (HPL)	HP 9835A and HP 9845A (BASIC)
Send the first part of the Remote message (which enables the Signal Generator to remote).	rem 707	REMOTE 707
Address the Signal Generator to listen (which completes the Remote message) and send the Data message (which tunes the Signal Generator to 990 MHz).	wrt 707, "fr990mz"	OUTPUT 707; "FR990MZ"

**OPERATOR'S RESPONSE** Verify that the Signal Generator's RMT and ADRS annunciators both light and that the FREQUENCY Display shows a carrier frequency of 990.0000 MHz.

**Local Lockout and Clear Lockout/Set Local Messages**

**NOTE** This check determines whether or not the Signal Generator properly receives the Local Lockout message which disables all of the front panel keys. In addition, this check determines whether or not the Clear Lockout/Set Local message is properly received and executed by the Signal Generator. It is assumed that the Signal Generator is able to handshake, recognize its own address, and properly make remote/local transitions. Before beginning this check, set the RESET/STBY/ON switch to RESET, then back to ON to initialize the instrument.

Description	HP 9825A (HPL)	HP 9835A and HP 9845A (BASIC)
Send the first part of the Remote message (which enables the Signal Generator to remote).	rem 707	REMOTE 707
Send the Local Lockout message.	llo 7	LOCAL LOCKOUT 7
Address the Signal Generator to listen (which completes the Remote message).	wrt 707	OUTPUT 707

**OPERATOR'S RESPONSE** Verify that the Signal Generator's RMT and ADRS annunciators both light. Press the LOCAL key on the front panel of the Signal Generator and verify that its RMT and ADRS annunciators both remain on.

Send the Clear Lockout/Set Local message.	lcl 7	LOCAL 7
---	-------	---------



**OPERATOR'S CHECKS**

**3-16. HP-IB Functional Checks (Cont'd)**

**OPERATOR'S RESPONSE** Verify that the Signal Generator's RMT annunciator is turned off and that its ADRS annunciator remains on.

**Clear Message**

**NOTE** This check determines whether or not the Signal Generator properly responds to the Clear message. It is assumed that the Signal Generator is able to handshake, recognize its own address, properly make remote/local transitions, and receive Data messages. Before beginning this check, set the RESET/STBY/ON switch to RESET, then back to ON to initialize the instrument.

Description	HP 9825A (HPL)	HP 9835A and HP 9845A (BASIC)
Send the first part of the Remote message (which enables the Signal Generator to remote).	rem 7	REMOTE 7
Address the Signal Generator to listen (which completes the Remote message) and send the Data message (which sets the output amplitude of the Signal Generator to 3.0 dB mV).	wrt 707, "ap3dbmv"	OUTPUT 707; "AP3DBMV"

**OPERATOR'S RESPONSE** Verify that the Signal Generator's RMT, ADRS, dB, and mV annunciators all light and that the AMPLITUDE Display shows an output amplitude of 3.0 dB mV.

Send the Clear message.	clr 707	RESET 707
-------------------------	---------	-----------

**OPERATOR'S RESPONSE** Verify that the Signal Generator's RMT and ADRS annunciators remain on and that the AMPLITUDE Display now shows the initialized output amplitude of -127.0 dBm. The dB and mV annunciators will now be off and the dBm annunciator will be on.

**Abort Message**

**NOTE** This check determines whether or not the Signal Generator becomes unaddressed when it receives the Abort message. It is assumed that the Signal Generator is able to handshake, recognize its own address, and properly make remote/local transitions. Before beginning this check, set the RESET/STBY/ON switch to RESET, then back to ON to initialize the instrument.

Description	HP 9825A (HPL)	HP 9835A and HP 9845A (BASIC)
Send the complete Remote message.	rem 707	REMOTE 707



**OPERATOR'S CHECKS**

---

**3-16. HP-IB Functional Checks (Cont'd)**

**OPERATOR'S RESPONSE**    Verify that the Signal Generator's RMT and ADRS annunciators both light.

Send the Abort message (which unaddresses the Signal Generator to listen).	cli 7	ABORTIO 7
--	-------	-----------

**OPERATOR'S RESPONSE**    Verify that the ADRS annunciator turns off.

**NOTE**

*The remote annunciator may also turn off when using the 9835A or 9845A.*



### 3-17. REMOTE OPERATION, HEWLETT-PACKARD INTERFACE BUS

The Signal Generator can be operated through the Hewlett-Packard Interface Bus (HP-IB). Bus compatibility, programming, and data formats are described in the following paragraphs.

All front panel functions (except for DISPLAY, DISPLAY in conjunction with SEQ, Backspace, COARSE TUNE, FINE TUNE, and display HP-IB ADRS are programmable through HP-IB.

A quick check of the Signal Generator's HP-IB input/output capability is described in paragraph 3-16, HP-IB Functional Checks. These checks are used to verify that the Signal Generator can respond to each of the applicable HP-IB messages described in Table 3-4.

### 3-18. HP-IB Compatibility

The Signal Generator has an open-collector, TTL, HP-IB interface which can be used with any HP-IB computing controller or computer for automatic system applications. The Signal Generator is fully programmable via the HP Interface Bus. Its programming capability is described by the twelve HP-IB messages listed in Table 3-4. Foremost among these messages is the Data message. Data messages contain the program codes that control the Signal Generator's output signal. The Signal Generator's complete compatibility with HP-IB is further defined by the following list of interface functions: SH1, AH1, T0, L2, SR0, RL1, PP0, DC1, DT0, and C0. A more detailed explanation of these compatibility codes can be found in the IEEE Standard 488 (and the identical ANSI Standard MC1.1). For more information about HP-IB, refer to the Hewlett-Packard Electronic Instruments and Systems catalog and the booklet titled "Improving Measurements in Engineering and Manufacturing" (HP part number 5952-0058).

### 3-19. Remote Operation

**Remote Capability.** In remote operation, the front panel keys are disabled (except for the RESET/STBY/ON switch and the LOCAL key). The Signal Generator can only be addressed to listen. When addressed to listen, the Signal Generator

will respond to the following messages: Data, Clear, Remote, Local, Local Lockout, Clear Lockout/Set Local, and Abort. Each is discussed in detail further on in this section.

**Local-to-Remote Change.** The Signal Generator switches to remote operation upon receipt of the Remote message. The Remote message is comprised of two parts. They are:

- Remote Enable bus control line (REN) set true.
- Device listen address received once (while REN is true).

The Signal Generator's RMT and ADRS annunciators will both light and its output signal and all preselected functions will remain unchanged when the local-to-remote transition occurs.

### 3-20. Local Operation

**Local Capability.** In local operation, the Signal Generator's front panel is fully operational and the instrument will respond to the Remote message. Whether addressed or not, the Signal Generator will also respond to the Clear, Local Lockout, Clear Lockout/Set Local, and Abort messages. It will not, however, respond to the Data message unless it has been previously addressed.

**Remote-to-Local Change.** The Signal Generator returns to local operation upon receipt of the Local message (GTL) or Clear Lockout/Set Local message. The Clear Lockout/Set Local message sets the Remote Enable bus control line (REN) false. The instrument can always be set to local operation by pressing the front panel LOCAL key provided that local lockout is not in effect. The output signal will remain unchanged and all preselected functions will remain unchanged when the remote-to-local transition occurs.

**Local Lockout.** When a data transmission is interrupted, which can happen by returning the Signal Generator to local operation with the LOCAL key, the data could be lost. This would leave the Signal Generator in an unknown state. To prevent this, a local lockout is recommended. Local lockout disables the LOCAL key and allows return-to-local



Table 3-4. HP-IB Message Reference Table

HP-IB Message	Applicable	Response	Related Commands Controls*	Interface Functions*
Data	Yes	All front panel functions, except for DISPLAY, DISPLAY in conjunction with SEQ, Backspace, COARSE TUNE, FINE TUNE, and display HP-IB ADRS are programmable. The front panel ADRS annunciator lights when the Signal Generator is addressed to listen.		T0, L2 AH1, SH0
Trigger	No	The Signal Generator does not have a Device Trigger (DT0) capability.	GET	DT0
Clear	Yes	Resets the Signal Generator to a carrier frequency of 100 MHz, an output amplitude of -127 dBm, and no modulation. Responds equally to Device Clear (DCL) and Selected Device Clear (SDC) bus commands.	DCL, SDC	DC1
Remote	Yes	Remote operation is entered when the Remote Enable (REN) bus control line is true and the Signal Generator is first addressed to listen. The front panel RMT and ADRS annunciators will both light when remote operation is entered, all front panel keys will be disabled (except for the LOCAL key and the RESET/STBY/ON switch), and the output signal will remain unchanged.	REN	RL1
Local	Yes	The Signal Generator will return to local operation (full front panel control) when either the Go to Local (GTL) bus command is received or the front panel LOCAL key is pressed. The output signal will remain unchanged.	GTL	RL1
Local Lockout	Yes	Disables the front panel LOCAL key so that only the controller can return the Signal Generator to local operation.	LLO	RL1
Clear Lockout/ Set Local	Yes	The Signal Generator will return to local operation and local lockout will be cleared when the REN bus control line goes false.	REN	RL1
Pass Control/ Take Control	No	The Signal Generator has no control capability.		C0
Require Service	No	The Signal Generator does not have the capability to request service.		SR0
Status Byte	No	The Signal Generator does not have the capability to respond to a serial poll.		T0
Status Bit	No	The Signal Generator does not have the capability to respond to a parallel poll.		PP0
Abort	Yes	The Signal Generator stops listening.	IFC	T0, L2
<p>*Commands, control lines, and interface functions are defined in IEEE Standard 488 (and the identical ANSI Standard MCL1). Knowledge of these might not be necessary if your controller's manual describes programming in terms of the twelve HP-IB Messages shown in the left-hand column above.</p> <p>Complete HP-IB compatibility as defined in IEEE Standard 488 (and the identical ANSI Standard MCL1) is: SH0, AH1, T0, L2, SR0, RL1, PP0, DC1, DT0, and C0.</p>				



**Local Operation (Cont'd)**

ables the LOCAL key and allows return-to-local only under program control.

**NOTE**

*Return-to-local can also be accomplished by setting the RESET/STBY/ON switch first to RESET, then back to ON. This technique, however, has some potential disadvantages.*

- *It defeats the purpose and advantage of local lockout, that is, the system controller will loose control of the Signal Generator.*
- *Some HP-IB conditions are reset to their default state during turn on.*

**3-21. Addressing**

The Signal Generator interprets the byte of information on its eight data input/output bus lines as either an address or a bus command whenever the bus is in the command entry mode, that is, when the Attention bus control line (ATN) is true and the Interface Clear bus control line (IFC) is false. Whenever the Signal Generator is being addressed (whether in local or remote operation), the front panel ADRS annunciator will light.

The Signal Generator's listen address is established by five miniature rocker switches located inside the instrument. The address selection procedure is described in Section II, Installation. The decimal equivalent of the listen address can be displayed in the MODULATION Display by pressing the HP-IB ADRS key. Refer to Table 3-5 for a list of the valid decimal (listen address) values and their equivalent ASCII characters.

**3-22. Data Messages**

The Signal Generator communicates on the interface bus with Data messages. Each Data message consists of one or more bytes of information sent over the Signal Generator's eight data input/output bus lines DIO1 through DIO8 during the data entry mode. The data entry mode is established when the Attention bus control line (ATN) is false. Data messages include the program codes listed in Tables 3-8 and 3-9. These program codes contain the necessary information to program virtually all of the instrument functions available in local operation. The only exceptions are DISPLAY, DISPLAY in conjunction with SEQ, Backspace, COARSE TUNE, FINE TUNE, and display HP-IB ADRS.

**Table 3-5. Valid Decimal Values vs. Equivalent ASCII Characters**

EQUIVALENT DECIMAL VALUE (LISTEN)	EQUIVALENT ASCII CHARACTER (LISTEN)
00	SP
01	!
02	"
03	#
04	\$
05	%
06	&
07	'
08	(
09	)
10	*
11	+
12	,
13	-
14	.
15	/
16	0
17	1
18	2
19	3
20	4
21	5
22	6
23	7
24	8
25	9
26	:
27	;
28	<
29	=
30	>

Indicates Factory-set address.

**3-23. Receiving the Data Message**

The Signal Generator must be in remote operation and addressed to listen before it can respond to Data messages. The instrument will remain addressed to listen until it receives an Abort message or a universal unlisten command from the controller.

The paragraph entitled Switching Characteristics shows how the Signal Generator responds to Data Messages. Timing considerations and other characteristics pertinent to operation are included.

**Data Message Input Format.** Data messages contain the controller's talk address, the Signal Gen-



**Receiving the Data Message (Cont'd)**

erator's listen address, a string of program codes, and an End of String message (EOS). The string of program codes follows the same protocol as a front panel keystroke sequence in local operation. The EOS message can be a Line Feed (LF), a bus END message (EOI and ATN bus control lines both set true), or an internally produced EOS.

The following paragraphs explain other key elements of the program code strings. Figure 3-10 provides some examples of Data messages.

**Keyboard-to-Program Code Correlation.** There is a program code that corresponds to nearly every front panel key. The exceptions are DISPLAY, DISPLAY in conjunction with SEQ, Backspace, COARSE TUNE, FINE TUNE, and display HP-IB ADRS. In addition, the program code HZ is available for carrier frequency entries, RP is available to reset the reverse power protection circuitry after the source of reverse power has been removed, and R0 and R1 are available to programmatically place the instrument in the STBY and ON states, respectively.

**Value-Selectable Parameters.** Carrier parameters are set using a Function-Data-Units sequence of program codes, while modulation parameters are set using a Source-Function-Data-Units sequence of program codes. Single-value parameters; such as, INT 400 Hz, INT 1 kHz, and so forth, are set with a single program code sequence.

**Data.** The term "Data" in each program sequence refers to the numeric value and not to the entire Data message. Data can be any number of arbitrary length in fixed point notation. Digits that exceed the maximum data length for the particular function will be truncated. This maximum limit includes any embedded decimal point. In the case of the Amplitude function, this maximum limit also includes the minus sign. The minus sign is only applicable during Amplitude Data entries. Table 3-6 summarizes these input data restrictions.

Table 3-6. Input Data Restrictions

Function	Maximum Data Length	Decimal Point Allowed	Minus Sign Allowed
Frequency	9 Digits	Yes	No
Amplitude	9 Digits (1)	Yes	Yes
AM	2 Digits	Yes	No
FM	2 Digits	Yes	No
Increment Set	Same as for selected function	Yes	No

NOTES:

1. In the Amplitude function, leading zeros are not counted.
2. Unused or unidentifiable characters are ignored.
3. Either upper or lower case letters can be used in Data messages.
4. Only the following ASCII characters are recognized by the Signal Generator:

A-Z a-z 0-9 LF - . %

All other characters, including spaces, are ignored.

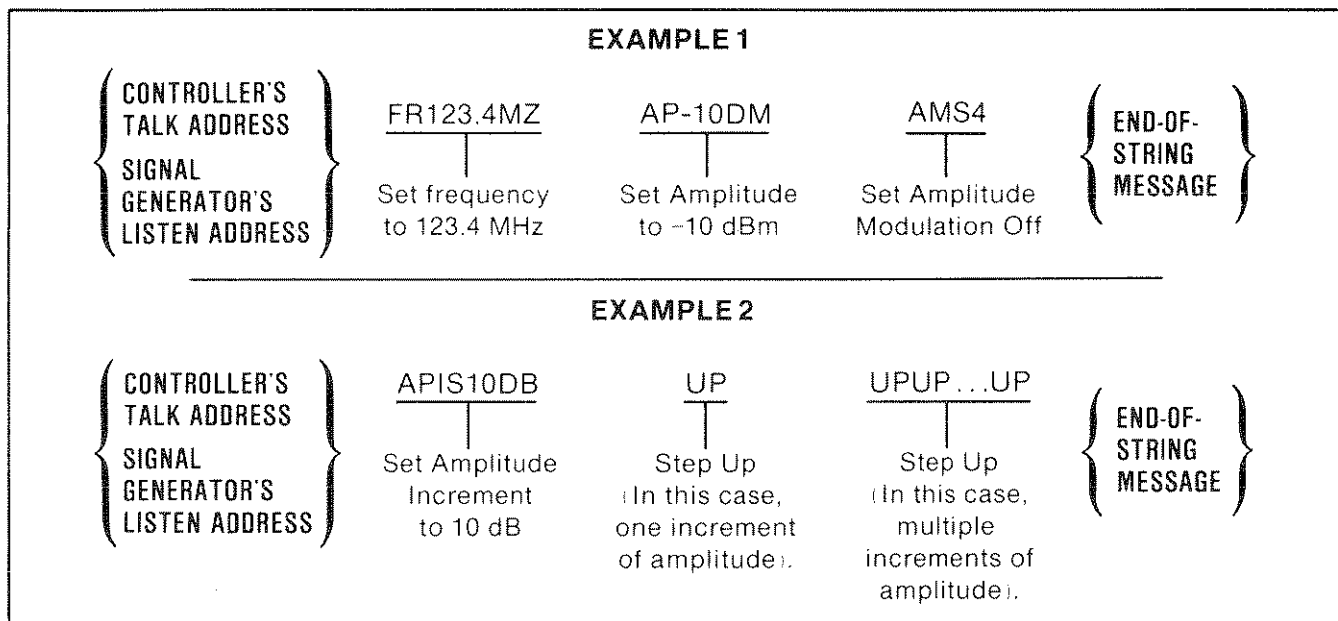


Figure 3-10. Data Message Examples



**Receiving the Data Message (Cont'd)**

A complete list of ASCII characters with conversions to binary, octal, decimal, and hexadecimal is provided in Table 3-10.

**3-24. Sending the Data Message**

The Signal Generator does not have the capability to talk; therefore, it cannot send Data messages.

**3-25. Receiving the Trigger Message**

The Signal Generator does not have the capability to respond to the trigger message.

**3-26. Receiving the Clear Message**

The Signal Generator will respond to a Clear message by setting each function parameter to the value listed in Table 3-7. The Signal Generator will respond equally to the Selected Device Clear (SDC) bus command when addressed to listen, and to the Device Clear (DCL) bus command whether addressed or not.

**Table 3-7. Response to Clear Message**

Parameter	Value
Carrier Frequency	100.0000 MHz
Output Amplitude	-127.0 dBm
AM Depth	0%
FM Peak Deviation Frequency	0.0 kHz
Carrier Frequency Increment	10.0000 MHz
Output Amplitude Increment	10.0 dB
AM Depth Increment	1%
FM Peak Deviation Frequency Increment	1.0 kHz
Coarse and Fine Tune Pointer	10.0000 MHz
Sequence Counter	0
All 10 Internal Storage Registers	Remain unchanged.

**3-27. Receiving the Remote Message**

The Remote message is comprised of two parts. First, the Remote Enable bus control line (REN) is held true, then the device listen address is sent by the controller. These two actions combine to place the Signal Generator into remote operation. Therefore, the instrument is enabled to go into remote operation when the controller begins the Remote message, but it does not actually make the transition until it is addressed to listen for the first time. All instrument settings remain unchanged when the transition from local-to-remote operation occurs.

The front panel RMT and ADRS annunciators will both light once the Signal Generator has received the Remote message and is addressed to listen.

**3-28. Receiving the Local Message**

The Local message is the means by which the controller sends the Go to Local (GTL) bus command. If addressed to listen, the Signal Generator will return to local operation (full front panel control) when it receives the Local message. If the instrument is in local lockout when the Local message is received, full front panel control will be returned, but local lockout will remain in effect. Unless the Signal Generator receives the Clear Lockout/Set Local message, it will return to local lockout the next time it receives a Remote message. All instrument settings remain unchanged when the transition from remote-to-local operation occurs.

The front panel RMT annunciator will be turned off when the Signal Generator switches to local operation. However, the front panel ADRS annunciator will remain lit if the Signal Generator is still being addressed to listen (whether in remote or local operation).

The front panel LOCAL key can also be used to return the Signal Generator to local operation. However, pressing the LOCAL key (when the instrument is not in local lockout) might interrupt a Data message being sent to the Signal Generator. This would leave the Signal Generator in a state unknown to the controller. This situation is undesirable and can be avoided by sending the Local Lockout message to disable the LOCAL key.

**3-29. Receiving the Local Lockout Message**

The Local Lockout message is the means by which the controller sends the Local Lockout (LLO) bus command. If the Signal Generator is in remote operation, it will respond to the Local Lockout message by disabling the front panel LOCAL key. Local lockout prevents the loss of data or system control due to someone accidentally pressing any of the front panel keys. If the Signal Generator is in local operation when it is enabled to remote operation (that is, REN is set true) and it receives the Local Lockout message, it will switch to remote with local lockout operation the first time it is addressed to listen. Once in local lockout, the Signal Generator can only be returned to local operation by the controller or by unplugging or resetting the instrument.





### 3-30. Receiving the Clear Lockout/Set Local Message

The Clear Lockout/Set Local message is the means by which the controller sets the Remote Enable bus control line (REN) false. The Signal Generator will return to local operation (full front panel control) when it receives the Clear Lockout/Set Local message. All instrument settings remain unchanged when the transition from remote with lockout to local operation occurs.

The front panel RMT annunciator will be turned off when the Signal Generator switches to local operation.

### 3-31. Receiving the Pass Control Message

The Signal Generator does not respond to the Pass Control message because it does not have a control capability.

### 3-32. Sending the Require Service Message

The Signal Generator does not have the capability to require service by setting the Service Request bus control line (SRQ) true.

### 3-33. Sending the Status Byte Message

The Signal Generator does not have the capability to respond to a Serial Poll Enable (SPE) bus command; therefore, it cannot send the Status Byte message.

### 3-34. Sending the Status Bit Message

The Signal Generator does not have the capability to respond to a Parallel Poll Enable (PPE) bus command; therefore, it cannot send the Status Bit message.

### 3-35. Receiving the Abort Message

The Abort message is the means by which the controller sets the Interface Clear bus control line (IFC) true. When the Abort message is received, the Signal Generator becomes unaddressed and stops listening.

### 3-36. Switching Characteristics

The Signal Generator's switching characteristics are an important consideration in applications involving a computer controller. For most functions, the Signal Generator has the ability to accept new Data Messages before the hardware can settle to the required output. If the timing requirements are not taken into account in the controller's pro-

gram, it will be impossible in many situations to make meaningful measurements on a device driven by the Signal Generator.

Switching times for frequency, modulation and amplitude have several characteristics in com-

Table 3-8. HP-IB Program Codes (Alphabetical Order)

Program Code <sup>1</sup>	Parameter	Comments
AM	Amplitude Modulation	Function Entry
AP	Amplitude (carrier)	Function Entry
DB	dB	Units Entry
DF	dBf	Units Entry
DM	dBm	Units Entry
DN	Step Down (↓)	Function Feature
EM	EMF	Units Entry
FM	Frequency Modulation	Function Entry
FR	Frequency (carrier)	Function Entry
HZ	Hz	Units Entry
IS	Increment Set	Function Qualifier
KZ	kHz	Units Entry
MV	mV	Units Entry
MZ	MHz	Units Entry
PC	Percent <sup>2</sup>	Units Entry
RC	Recall	Feature
RP	Reverse Power Protection Reset <sup>3</sup>	Feature
R0	Standby <sup>4</sup>	Feature
R1	On <sup>4</sup>	Feature
SQ	Sequence	Feature
ST	Store	Feature
S1	External Modulation Source	Source Qualifier
S2	Internal 400 Hz Modulation Source	Source Qualifier
S3	Internal 1 kHz Modulation Source	Source Qualifier
S4	Modulation Source Off	Source Qualifier
UP	Step Up (↑)	Function Feature
UV	μV	Units Entry
VL	Volts	Units Entry
0-9	Numerals 0 - 9	Data Entries
-	Minus Sign	Data Entry
.	Decimal Point	Data Entry
%	Percent <sup>2</sup>	Units Entry

<sup>1</sup> Program codes can be either upper or lower case.

<sup>2</sup> Either PC or % can be used.

<sup>3</sup> The source of reverse power must be removed.

<sup>4</sup> The RESET/STBY/ON switch must be set to the ON position.



**Switching Characteristics (Cont'd)**

mon. In each case a finite amount of time passes from the command (manual or computer generated) until the required output occurs. Software execution time is required for the microprocessor and related digital circuits to process the data. This begins with a valid final terminator (key-stroke or data entry) and ends with the execution in the hardware. The software time may vary considerably depending on the function. Examples are internal instructions to more than one hardware location, (may be serial, parallel or both) and differing amounts of control data and calculations.

Hardware execution time will also vary considerably. This depends on the number of circuits affected, the length of time each takes to change and whether the changes occur one at a time or concurrently.

**Frequency Switching.** The Signal Generator will typically be within 100 Hz of the final frequency within 2 seconds after receiving the valid units data (terminator). Figure 3-11 shows the sequence of events and the typical error frequency relative to time. Area I shows the software execution time. Areas II through IV make up the hardware execution time.

At times certain events in the frequency switching cycle may be bypassed. For example, small frequency changes will often eliminate event II, the fast slew rate mode or event IV, the FM calibration mode. However, the frequency change that allows these events to be bypassed depends on an involved algorithm that is a function of frequency band and the state of the successive approximation register of the Low Frequency Loop. Therefore, it is best to assume that the entire sequence of

**Table 3-9. HP-IB Program Codes (Functional Order)**

Parameter	Program Code <sup>1</sup>	Parameter	Program Code <sup>1</sup>
FREQUENCY		UNITS (Cont'd)	
Frequency (carrier)	FR	dBm	DM
AMPLITUDE		EMF	EM
Amplitude (carrier)	AP	Volts	VL
MODULATION		mV	MV
Amplitude Modulation	AM	μV	UV
Frequency Modulation	FM	Hz	HZ
External Modulation Source	S1	kHz	KZ
Internal 400 Hz Modulation Source	S2	MHz	MZ
Internal 1 kHz Modulation Source	S3	Percent <sup>2</sup>	PC
Modulation Source Off	S4	Percent <sup>2</sup>	%
DATA		OTHER	
Numerals 0 — 9	0 — 9	Step Up (†)	UP
Minus Sign	-	Step Down (‡)	DN
Decimal Point	.	Increment Set	IS
UNITS		Standby <sup>3</sup>	R0
dB	DB	On <sup>3</sup>	R1
dBf	DF	Store	ST
		Recall	RC
		Sequence	SQ
		Reverse Power Protection Reset (4)	RP

<sup>1</sup>Program codes can be either upper or lower case.

<sup>2</sup>Either PC or % can be used.

<sup>3</sup>The RESET/STBY/ON switch must be in the ON position.

<sup>4</sup>The source of reverse power must be removed.



Table 3-10. Commonly Used Code Conversions

ASCII	Binary	Octal	Decimal	Hexa- decimal
NUL	00 000 000	000	0	00
SOH	00 000 001	001	1	01
STX	00 000 010	002	2	02
ETX	00 000 011	003	3	03
EOT	00 000 100	004	4	04
ENQ	00 000 101	005	5	05
ACK	00 000 110	006	6	06
BEL	00 000 111	007	7	07
BS	00 001 000	010	8	08
HT	00 001 001	011	9	09
LF	00 001 010	012	10	0A
VT	00 001 011	013	11	0B
FF	00 001 100	014	12	0C
CR	00 001 101	015	13	0D
SO	00 001 110	016	14	0E
SI	00 001 111	017	15	0F
DLE	00 010 000	020	16	10
DC1	00 010 001	021	17	11
DC2	00 010 010	022	18	12
DC3	00 010 011	023	19	13
DC4	00 010 100	024	20	14
NAK	00 010 101	025	21	15
SYN	00 010 110	026	22	16
ETB	00 010 111	027	23	17
CAN	00 011 000	030	24	18
EM	00 011 001	031	25	19
SUB	00 011 010	032	26	1A
ESC	00 011 011	033	27	1B
FS	00 011 100	034	28	1C
GS	00 011 101	035	29	1D
RS	00 011 110	036	30	1E
US	00 011 111	037	31	1F
SP	00 100 000	040	32	20
!	00 100 001	041	33	21
"	00 100 010	042	34	22
#	00 100 011	043	35	23
\$	00 100 100	044	36	24
%	00 100 101	045	37	25
&	00 100 110	046	38	26
'	00 100 111	047	39	27
(	00 101 000	050	40	28
)	00 101 001	051	41	29
*	00 101 010	052	42	2A
+	00 101 011	053	43	2B
,	00 101 100	054	44	2C
-	00 101 101	055	45	2D
.	00 101 110	056	46	2E
/	00 101 111	057	47	2F
0	00 110 000	060	48	30
1	00 110 001	061	49	31
2	00 110 010	062	50	32
3	00 110 011	063	51	33
4	00 110 100	064	52	34
5	00 110 101	065	53	35
6	00 110 110	066	54	36
7	00 110 111	067	55	37
8	00 111 000	070	56	38
9	00 111 001	071	57	39
:	00 111 010	072	58	3A
;	00 111 011	073	59	3B
<	00 111 100	074	60	3C
=	00 111 101	075	61	3D
>	00 111 110	076	62	3E
?	00 111 111	077	63	3F

ASCII	Binary	Octal	Decimal	Hexa- decimal
@	01 000 000	100	64	40
A	01 000 001	101	65	41
B	01 000 010	102	66	42
C	01 000 011	103	67	43
D	01 000 100	104	68	44
E	01 000 101	105	69	45
F	01 000 110	106	70	46
G	01 000 111	107	71	47
H	01 001 000	110	72	48
I	01 001 001	111	73	49
J	01 001 010	112	74	4A
K	01 001 011	113	75	4B
L	01 001 100	114	76	4C
M	01 001 101	115	77	4D
N	01 001 110	116	78	4E
O	01 001 111	117	79	4F
P	01 010 000	120	80	50
Q	01 010 001	121	81	51
R	01 010 010	122	82	52
S	01 010 011	123	83	53
T	01 010 100	124	84	54
U	01 010 101	125	85	55
V	01 010 110	126	86	56
W	01 010 111	127	87	57
X	01 011 000	130	88	58
Y	01 011 001	131	89	59
Z	01 011 010	132	90	5A
[	01 011 011	133	91	5B
\	01 011 100	134	92	5C
]	01 011 101	135	93	5D
^	01 011 110	136	94	5E
_	01 011 111	137	95	5F
`	01 100 000	140	96	60
a	01 100 001	141	97	61
b	01 100 010	142	98	62
c	01 100 011	143	99	63
d	01 100 100	144	100	64
e	01 100 101	145	101	65
f	01 100 110	146	102	66
g	01 100 111	147	103	67
h	01 101 000	150	104	68
i	01 101 001	151	105	69
j	01 101 010	152	106	6A
k	01 101 011	153	107	6B
l	01 101 100	154	108	6C
m	01 101 101	155	109	6D
n	01 101 110	156	110	6E
o	01 101 111	157	111	6F
p	01 110 000	160	112	70
q	01 110 001	161	113	71
r	01 110 010	162	114	72
s	01 110 011	163	115	73
t	01 110 100	164	116	74
u	01 110 101	165	117	75
v	01 110 110	166	118	76
w	01 110 111	167	119	77
x	01 111 000	170	120	78
y	01 111 001	171	121	79
z	01 111 010	172	122	7A
{	01 111 011	173	123	7B
	01 111 100	174	124	7C
}	01 111 101	175	125	7D
~	01 111 110	176	126	7E
DEL	01 111 111	177	127	7F



**Switching Characteristics (Cont'd)**

events shown in Figure 3-11 occurs every time a frequency change is made.

To minimize the effects of frequency hysteresis (especially near the frequency band edges), switch to the desired frequency from the same direction each time, that is, from either above or below the desired frequency. Ideally, the frequency change should be made from the same preset frequency. The main band frequency hysteresis is 100 kHz at the main band edges, that is, 123.5, 247 and 494 MHz.

During a frequency change, all modulation is turned off if the FM mode has been enabled. This applies to FM only or mixed modulation such as FM from two sources or simultaneous AM and FM. After the frequency change and FM calibration is completed, the modulation is turned on.

**Amplitude Switching.** During an RF amplitude change, the final level is always approached from a lower level. This means that a critical amplitude level will never be exceeded in the course of normal Signal Generator operation.

Software correction of amplitude with respect to frequency may cause the amplitude to be uncalibrated while a frequency change occurs. The software correction is implemented after the final frequency is reached.

Software execution time for an amplitude change varies considerably. The basic unit for amplitude in the Signal Generator is dBm. An input in other

units requires calculations. This tends to increase the software execution time considerably. For example, an input in dBm generally will take about 160 ms from the terminator to the end of software execution. A change (increment or decrement) in dB will take a little less time, typically 130 ms. Examples of a change with calculations involved are: a preset level in mV with a change in dB, 200 ms; a level and change in mV, 340 ms; a level in dBm and a change in mV, 460 ms.

A 10 dB change without modulation (narrowband Automatic Level Control—ALC) may take up to 110 ms in the vernier hardware circuits. With modulation (wideband ALC) the switching time is typically 1 to 25 ms. The step attenuator switching time is on the order of 12 ms.

Total time requirements for simple amplitude inputs or changes, that is, minimal software and hardware execution time is 150 ms. A more complex change may take up to 560 ms.

**Modulation Switching.** There are applications where it is necessary to turn modulation on or off or to change to another modulation level. It takes about 400 ms for the modulation accuracy (AM or FM) to be within tolerance from the time the modulation (audio oscillator) is initially turned on. An FM deviation change typically occurs 60 ms after the final terminator (Units key) triggers the change. Turning the FM off will take about 20 ms. Amplitude modulation normally takes about 120 ms to turn off or to change to a new depth. Software execution time in the modulation mode is insignificant.

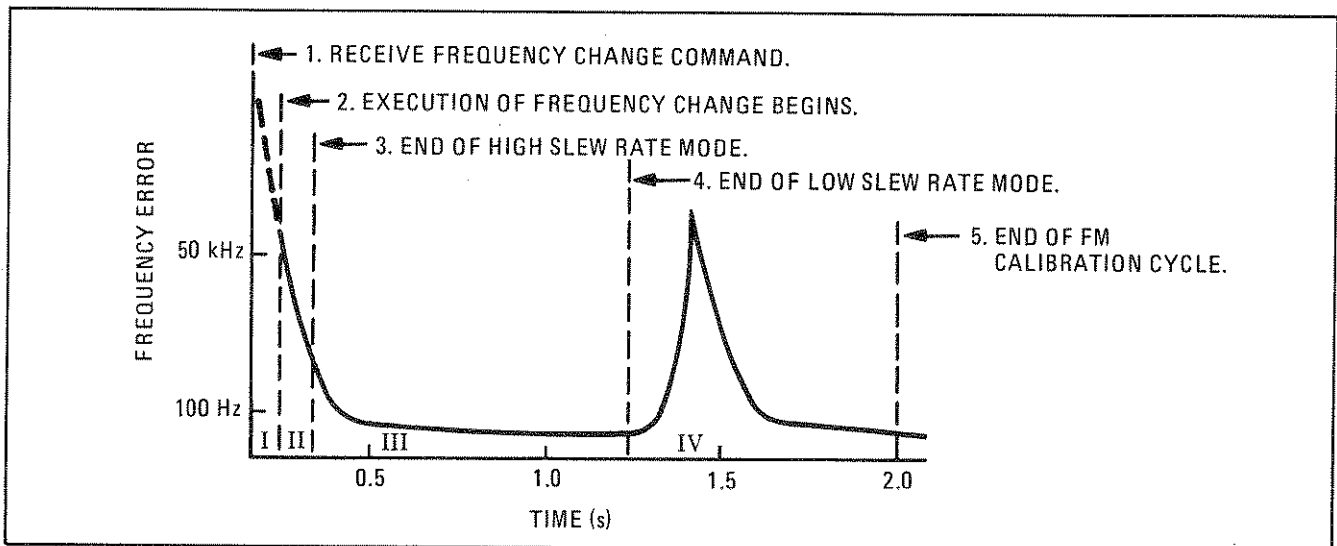


Figure 3-11. Frequency Switching Characteristics

# Amplitude

**Description** This instruction details how to set the output amplitude.

Operating Characteristics:







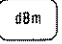

Range: +13 dBm to -127 dBm (+1.00V to +0.100  $\mu$ V)

Resolution: 0.1 dB










**Keystroke Sequence** Press and release the AMPTD Function key, the desired Data keys, and a valid Units key or combination of valid Units keys.

**Examples**

Set the output amplitude to -12.3 dBm.

<b>LOCAL</b> (keystrokes)	<div style="display: flex; justify-content: space-around; align-items: center;"> <div style="text-align: center;"> <p>Function</p>  </div> <div style="text-align: center;"> <p>Data</p>      </div> <div style="text-align: center;"> <p>Units</p>  </div> </div>
 (program codes)	<p>AP-12.3DM</p> <div style="display: flex; justify-content: center; gap: 20px;"> <span>Function</span><span>Data</span><span>Units</span> </div>

Set the output amplitude to -2.0 dB EMF  $\mu$ V.

<b>LOCAL</b> (keystrokes)	<div style="display: flex; justify-content: space-around; align-items: center;"> <div style="text-align: center;"> <p>Function</p>  </div> <div style="text-align: center;"> <p>Data</p>     </div> <div style="text-align: center;"> <p>Units</p>    </div> </div>
 (program codes)	<p>AP-2.0DBEMUV</p> <div style="display: flex; justify-content: center; gap: 20px;"> <span>Function</span><span>Data</span><span>Units</span> </div>

**Keys and Program Codes**



Keys	Program Codes
AMPTD	AP
dBm	DM
dBf	DF
dB	DB
EMF	EM
V	VL
mV	MV
$\mu$ V	UV

**Indications** The selected output amplitude (with sign and units) will be displayed in the AMPLITUDE Display.

**Comments** Digits selected beyond the specified resolution of the AMPLITUDE Display will be ignored.

## Amplitude (Cont'd)

**Comments  
(Cont'd)**

Leading zeros will be blanked.

Calibrated level is from -127 dBm to +13 dBm with overrange to the maximum power of the instrument.

Minus sign may be entered at any time before the final terminator.

Amplitude Data entries that would cause the peak envelope power of the instrument to exceed +17 dBm are rejected.

Amplitude function will remain selected until:

- a. One of the three remaining functions is selected.
- b. One of the STORE-RECALL-DISPLAY keys is pressed.
- c. The instrument is reset or unplugged.

Fourteen valid units entries are possible. They are as follows:

dBm	dB $\mu$ V	V	EMF mV
dBf	dB EMF V	mV	EMF $\mu$ V
dB V	dB AMF mV	$\mu$ V	
dB mV	dB EMF $\mu$ V	EMF V	

**Related  
Instructions**

Amplitude Conversion  
Amplitude, Up/Down

# Amplitude Conversion

**Description** This instruction details how to change the AMPLITUDE Display from power units in dBm to any one of thirteen other valid unit configurations. This feature does not affect the actual output amplitude of the Signal Generator.

**Keystroke Sequence** Press any valid Units key or combination of valid Units keys with the amplitude function selected.

**Example**

The AMPLITUDE Display shows 10.0 dBm. Change the display to units of dB  $\mu$ V. (The resulting display will be 117.0 dB  $\mu$ V).

<b>LOCAL</b> (keystrokes)	
(program codes)	

**Keys and Program Codes**



Keys	Program Codes 
dBm <sup>1</sup>	DM <sup>1</sup>
dBf <sup>1</sup>	DF <sup>1</sup>
dB <sup>2, 3</sup>	DB <sup>2, 3</sup>
EMF <sup>2</sup>	EM <sup>2</sup>
V <sup>1</sup>	VL <sup>1</sup>
mV <sup>1</sup>	MV <sup>1</sup>
$\mu$ V <sup>1</sup>	UV <sup>1</sup>

<sup>1</sup> Final Terminator.  
<sup>2</sup> Prefix Terminator.  
<sup>3</sup> Final Terminator for Increment Set Mode.

**Indications** The AMPLITUDE Display will change to reflect the newly selected units and the corresponding annunciator(s) will light.

**Comments** The amplitude function must be selected before the conversion entry or entries are made.

Logarithmic Data entries (dBm or dBf) will be displayed in the AMPLITUDE Display with 0.1 dB resolution.

The dBm or dBf Units terminator overrides a dB or EMF terminator.

If a dB or EMF Units terminator is selected, the AMPLITUDE Display will be blanked, the corresponding annunciator will light, and the Signal Generator will wait for a final terminator to be entered.

## Amplitude Conversion (Cont'd)

### Comments (Cont'd)

Linear Data entries (V, mV, or  $\mu$ V) will be displayed in the three most significant digits of the AMPLITUDE Display and the linear terminator will be autoranged (or adjusted) to comply with this condition.

Conversion formulas used are as follows:

$$\begin{aligned} \text{dBm} &= \text{dBm} \\ \text{dBf} &= \text{dBm} + 120.0 \\ \text{dB V} &= \text{dBm} - 13.0 \\ \text{dB mV} &= \text{dBm} + 47.0 \\ \text{dB } \mu\text{V} &= \text{dBm} + 107.0 \\ \text{dB EMF V} &= \text{dBm} - 7.0 \\ \text{dB EMF mV} &= \text{dBm} + 53.0 \\ \text{dB EMF } \mu\text{V} &= \text{dBm} + 113.0 \\ \text{V} &= 10^{(\text{dBm} - 13.0)/20} \\ \text{mV} &= 10^{(\text{dBm} + 47.0)/20} \\ \mu\text{V} &= 10^{(\text{dBm} + 107.0)/20} \\ \text{EMF V} &= 10^{(\text{dBm} - 7.0)/20} \\ \text{EMF mV} &= 10^{(\text{dBm} + 53.0)/20} \\ \text{EMF } \mu\text{V} &= 10^{(\text{dBm} + 113.0)/20} \end{aligned}$$

### Related Instructions

Amplitude  
Amplitude, Up/Down



# Amplitude, Up/Down

**Description**




This instruction details how to change the output amplitude by the value stored in the internal output amplitude increment register.

**Keystroke Sequence**

Press and release the step up or step down keys associated with the output amplitude function.

**Keys and Program Codes**



Keys	Program Codes
AMPTD  	 AP UP DN

**NOTE**

*During remote operation, repeated UP or DN codes can be sent over the bus once the frequency function has been selected.*

**Indications**

The output amplitude shown in the AMPLITUDE Display and the output of the Signal Generator will change by the value stored in the internal output amplitude increment register.

**Comments**

Step up and step down keys associated with the output amplitude function are used to change the output amplitude by the value stored in the internal output amplitude increment register.

Places the instrument in the Amplitude Data entry mode and clears any previously selected function.

Continues to change the output amplitude by the value stored in the internal output amplitude increment register if either key remains pressed.

Initialized value and limits of the output amplitude increment are as follows:

Initialized Value	Minimum Value	Maximum Value
10.0 dB	0.1 dB	≤144.0 dB
	0.001 μV	≤1.57V
	0.001 EMF μV	≤3.15 EMF V

**Related Instructions**

Increment Value Change  
 Increment Value Display

# Display

**Description** This instruction details how to selectively display the stored contents of an internal storage register.

**Keystroke Sequence** Press and release the DISPLAY key, then press and hold the Data key (a single digit register number 0–9).

**Example**

Display the stored contents from register 2.	
LOCAL (keystrokes)	<p style="text-align: center;">— Display Contents of Register 2 —</p>
 (program codes)	This feature is not accessible via HP-IB.

**Keys and Program Codes**



Keys	Program Codes 
DISPLAY	None

**Indications** The stored contents from the selected register will be displayed as long as the Data key remains pressed.

**Comments** Ten internal registers are available (0–9). Each is capable of storing complete front panel setups (exclusive of increment settings).

Does not affect the actual output of the Signal Generator.

Does not change the contents of the internal sequence counter.

Does not affect the current increment settings.

Clears any previously selected function.

Feature is not accessible via HP-IB.

All displays are restored to reflect the actual Signal Generator output when the Data key is released.

**Related Instructions**  
 Display Sequence  
 Recall Sequence  
 Store

# Display Sequence

**Description** This instruction details how to display the contents of the internal sequence counter.

**Keystroke Sequence** Press and release the DISPLAY key, then press and hold the SEQ key.

**Example**

Display the contents of the internal sequence counter.	
LOCAL (keystrokes)	
 (program codes)	This feature is not accessible via HP-IB.

**Keys and Program Codes**



Keys	Program Codes 
DISLPAY SEQ	None None

**Indications** The stored contents from the sequence counter will be displayed in the least significant digit of the AMPLITUDE Display as long as the SEQ key remains pressed.

**Comments** Does not affect the actual output of the Signal Generator.  
Does not change the contents of the internal sequence counter.  
Clears any previously selected function.  
Feature is not accessible via HP-IB.

The AMPLITUDE Display is restored to reflect the actual Signal Generator output when the SEQ key is released.

**Related Instructions** Display Sequence

# Frequency

**Description** This instruction details how to set the carrier frequency.

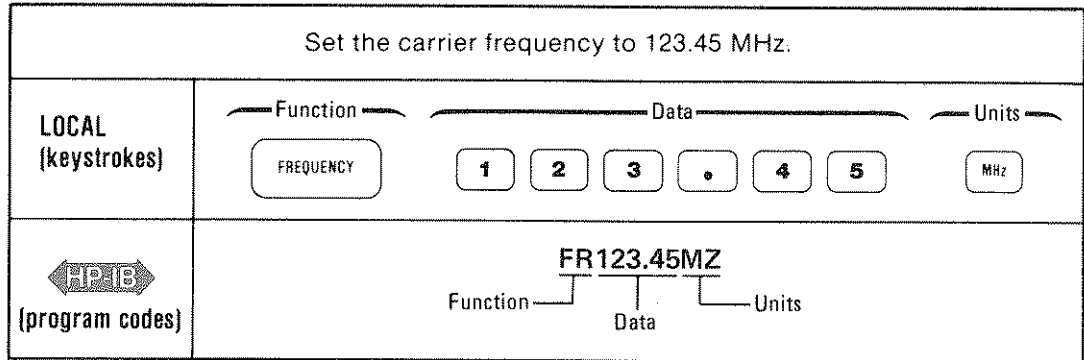
Operating Characteristics:

Range: 100 kHz to 990 MHz (990.0000 MHz)

Resolutions: 100 Hz and 250 Hz, depending on the carrier frequency selected.

**Keystroke Sequence** Press and release the FREQUENCY Function key, the desired Data keys, and a valid Units key.

**Example**



**Keys and Program Codes**



Keys	Program Codes
FREQUENCY	FR
MHz	MZ
kHz	KZ
No key	HZ

**Indications** The selected carrier frequency will be displayed in megahertz in the FREQUENCY Display.

**Comments** Least significant (eighth) digit will be blanked when the selected carrier frequency is a multiple of 100 Hz.

In cases where the selected carrier frequency is a multiple of 250 Hz, the least significant digit will be a 5.

Digits selected beyond the specified resolution of the FREQUENCY Display will be truncated.

Leading zeros will be blanked.

Carrier frequencies below 100 kHz will result in an uncalibrated output amplitude.

The MODULATION Display will flash if a change in carrier frequency would cause the FM peak deviation frequency allowed for that frequency band to be exceeded. Entering a carrier frequency that would set the instrument in the correct band for the selected deviation frequency will clear the error condition, or pressing one of the following keys will automatically adjust the FM peak deviation frequency to the maximum frequency possible for that frequency band.

## Frequency (Cont'd)

**Comments  
(Cont'd)**

Band	Carrier Frequency (MHz)
1	0.1 — 123.5
2	123.5 — 247
3	247 — 494
4	494 — 990



The carrier frequency increment is rejected if it is not a multiple of 100 Hz or 250 Hz.

Frequency function will remain selected until:

- a. One of the three remaining functions is selected.
- b. One of the STORE-RECALL-DISPLAY keys is pressed.
- c. The instrument is reset or unplugged.

**Related  
Instructions**

Frequency, Coarse and Fine Tune  
Frequency, Up/Down

# Frequency, Coarse and Fine Tune

**Description**

This instruction details how to quickly tune the carrier frequency in decade steps using the step up and step down keys associated with the carrier frequency function.

**Keystroke Sequence**

This feature is enabled by pressing either the COARSE TUNE or FINE TUNE key.

Pressing either key will increase (COARSE TUNE) or decrease (FINE TUNE) the carrier frequency tuning value by a factor of 10.

Pressing the step up key will then increase the carrier frequency by the newly selected carrier frequency tuning value, while pressing the step down key will decrease the carrier frequency.

This feature is disabled and the original carrier frequency increment value is enabled by pressing the INCR SET key (with the frequency function selected).

**Example**

Enable a carrier frequency tuning value of 10 kHz (assuming a starting value of 10 MHz).	
LOCAL (keystrokes)	
(program codes)	This feature is not accessible via HP-IB.

**Keys and Program Codes**



Keys	Program Codes
FREQUENCY	None
COARSE TUNE	None
FINE TUNE	None
	None
	None
INCR SET	None

**Indications**

Whenever the COARSE TUNE or FINE TUNE key is pressed and held, the frequency digit that corresponds to the carrier frequency tuning value will flash.

When the COARSE TUNE key is pressed again, the next digit to the left will flash to indicate the new tuning value.

When the FINE TUNE key is pressed again, the next digit to the right will flash to indicate the new tuning value.

**Comments**

Feature only applies to the carrier frequency function.

Feature is not accessible via HP-IB.

## Frequency, Coarse and Fine Tune (Cont'd)

<b>Comments (Cont'd)</b>	<p>COARSE TUNE and FINE TUNE keys are always available to change the carrier frequency tuning value by a factor of 10.</p> <p>Places the instrument into the frequency Data entry mode and clears any previously selected function, once either the step up or step down key is pressed.</p> <p>Enables the last valid carrier frequency increment value when the INCR SET key is pressed.</p>
<b>Related Instructions</b>	<p>Frequency Frequency, Up/Down Increment Value Change</p>



# Frequency, Up/Down

**Description**

This instruction details how to change the carrier frequency by the value stored in the internal carrier frequency increment register.

**Keystroke Sequence**

Press and release the step up or step down keys associated with the carrier frequency function.

**Keys and Program Codes**



Keys	Program Codes
FREQUENCY ▲ ▼	FR UP DN

**NOTE**

*During remote operation, repeated UP or DN codes can be sent over the bus once the frequency function has been selected.*

**Indications**

The carrier frequency shown in the FREQUENCY Display and the output of the Signal Generator will change by the value stored in the internal carrier frequency increment register.

**Comments**

Step up and step down keys associated with the carrier frequency function are used to change the carrier frequency by the value stored in the internal carrier frequency increment register.

Places the instrument in the Frequency Data entry mode and clears any previously selected function.

Continues to change the carrier frequency by the value stored in the internal carrier frequency increment register if either key remains pressed.

The MODULATION Display will flash if a change in carrier frequency would cause the FM peak deviation frequency allowed for that frequency band to be exceeded. Entering a carrier frequency that would set the instrument in the correct band for the selected deviation frequency will clear the error condition, or pressing one of the following keys will automatically adjust the FM peak deviation frequency to the maximum frequency possible for that frequency band.

Band	Carrier Frequency (MHz)
1	0.1—123.5
2	123.5—247
3	247—494
4	494—990



Initialized value and limits of the carrier frequency increment are as follows:

Initialized Value	Minimum Value	Maximum Value
10.0000 MHz	0.1 kHz	≤989.99 MHz

**Related Instructions**

Frequency, Coarse and Fine Tune  
Increment Value Change  
Increment Value Display





## HP-IB Address Display

**Description** This instruction details how to display the internally-set, decimal HP-IB address.

**Keystroke Sequence** Press and hold the HP-IB ADRS key.

**Example**

Display the internally-set, decimal HP-IB address.	
LOCAL (keystrokes)	 
 (program codes)	This feature is not accessible via HP-IB.

**Keys and Program Codes**



Keys	Program Codes 
HP-IB ADRS	None

**Indications** The internally-set, decimal HP-IB address will be displayed in the MODULATION Display as long as the HP-IB ADRS key remains pressed.

**Comments** HP-IB addresses greater than 30 (decimal) are interpreted as 30.

HP-IB address is factory-set to 07 decimal. (In binary, this is 00111, the equivalent ASCII character is an apostrophe).

HP-IB address is updated only when the instrument is powered up or reset.

To change the HP-IB address, refer to paragraph 2-8, HP-IB Address Selection.

Feature is not accessible via HP-IB.

The MODULATION Display is restored to reflect the actual Signal Generator output when the HP-IB ADRS key is released.



# HP-IB Address Display (Cont'd)

Comments  
(Cont'd)

Allowable HP-IB Address Codes

ADDRESS SWITCH					EQUIVALENT ASCII CHARACTER (LISTEN)	EQUIVALENT DECIMAL VALUE (LISTEN)
A5	A4	A3	A2	A1		
0	0	0	0	0	SP	00
0	0	0	0	1	!	01
0	0	0	1	0	"	02
0	0	0	1	1	#	03
0	0	1	0	0	\$	04
0	0	1	0	1	%	05
0	0	1	1	0	&	06
0	0	1	1	1	'	07
0	1	0	0	0	(	08
0	1	0	0	1	)	09
0	1	0	1	0	*	10
0	1	0	1	1	+	11
0	1	1	0	0	,	12
0	1	1	0	1	-	13
0	1	1	1	0	.	14
0	1	1	1	1	/	15
1	0	0	0	0	0	16
1	0	0	0	1	1	17
1	0	0	1	0	2	18
1	0	0	1	1	3	19
1	0	1	0	0	4	20
1	0	1	0	1	5	21
1	0	1	1	0	6	22
1	0	1	1	1	7	23
1	1	0	0	0	8	24
1	1	0	0	1	9	25
1	1	0	1	0	:	26
1	1	0	1	1	:	27
1	1	1	0	0	<	28
1	1	1	0	1	=	29
1	1	1	1	0	>	30

Indicates factory-set address.

Related  
Instructions

None



## Increment Value Change

### Description

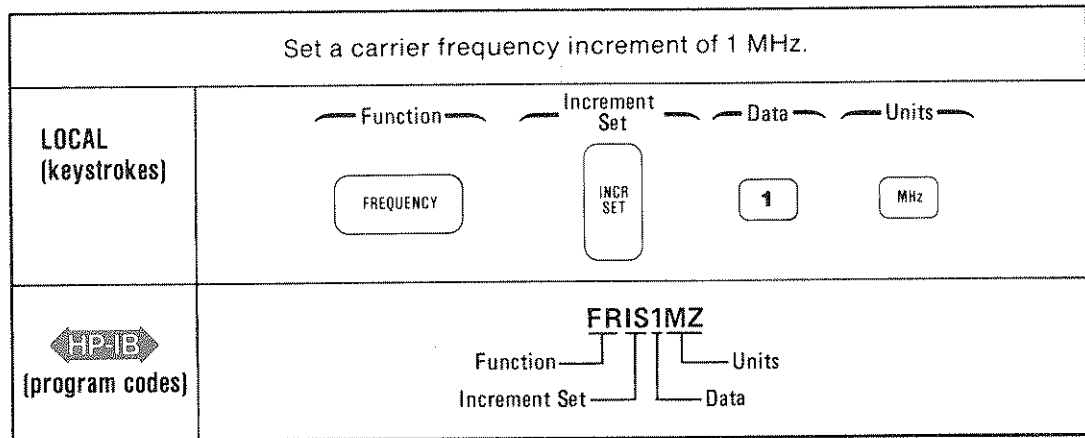
This instruction details how to change the value of the stored increments which are controlled by the step up and step down keys associated with each of the four main functions. Increment values for the carrier frequency, output amplitude, AM depth, and FM peak deviation frequency can be stored. The initialized value of each stored increment is listed as follows:

Carrier Frequency	10.0000 MHz
Output Amplitude	10.0 dB
AM Depth	1%
FM Peak Deviation Frequency	1.0 kHz

### Keystroke Sequence

Press and release a Function key, the INCR SET key, the desired Data keys, and a valid Units key.

### Example



### Keys and Program Codes



Keys	Program Codes 	Keys	Program Codes 
INCR SET	IS	%	PC or %
FREQUENCY	FR	dBm	DM
AMPTD	AP	dBf	DF
AM	AM	dB	DB
FM	FM	EMF	EM
MHz	MZ	V	VL
kHz	KZ	mV	MV
No Key	HZ	μV	UV

### Indications

The value of the increment will appear in the display associated with the selected function as the data is entered.

### Comments

The frequency increment is rejected if it is not a multiple of 100 Hz or 250 Hz.

FM peak deviation frequency increments must be selected in units of kHz only.



## Increment Value Change (Cont'd)

### Comments (Cont'd)

The minimum allowable increment value for each of the four main functions is listed as follows:

Carrier Frequency	0.1 kHz
Output Amplitude	0.1 dB
	0.01 $\mu$ V
	0.001 EMF $\mu$ V
AM Depth	1%
FM Peak Deviation Frequency	0.1 kHz

The maximum allowable increment value for each of the four main functions is listed as follows:

Carrier Frequency	$\leq$ 989.99 MHz
Output Amplitude	$\leq$ 144.0 dB
	$\leq$ 1.57V
	$\leq$ 3.15 EMFV
AM Depth	$\leq$ 99%
FM Peak Deviation Frequency	$\leq$ 99 kHz

All displays will be restored to reflect the actual Signal Generator output as soon as a valid increment terminator is selected.

### Related Instructions

Amplitude, Up/Down  
 Frequency, Coarse and Fine Tune  
 Frequency, Up/Down  
 Modulation, AM Up/Down  
 Modulation, FM Up/Down  
 Increment Value Display

## Increment Value Display

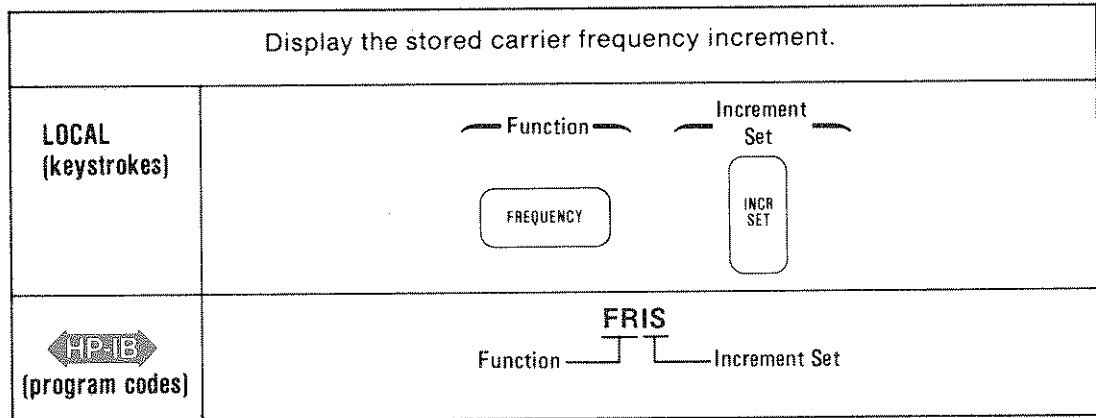
**Description**

This instruction details how to display the stored value of the increments which are controlled by the step up and step down keys associated with each of the four main functions. Increment values for the carrier frequency, output amplitude, AM depth, and FM peak deviation frequency can be displayed.

**Keystroke Sequence**

Press and release a Function key, then press and hold the INCR SET key.

**Example**



**Keys and Program Codes**



Keys	Program Codes
INCR SET	IS
FREQUENCY	FR
AMPTD	AP
AM	AM
FM	FM

**Indications**

The stored value of the increment will be displayed in the display associated with the selected function as long as the INCR SET key remains pressed.

**Comments**

The initialized value of each stored increment is listed as follows:

Carrier Frequency	10.0000 MHz
Output Amplitude	10.0 dB
AM Depth	1%
FM Peak Deviation Frequency	1.0 kHz

The display will be restored to reflect the actual Signal Generator output when the INCR SET key is released.

**Related Instructions**

Increment Value Change

# Modulation, AM

**Description** This instruction details how to select amplitude modulation using the internal modulation source.

Operating Characteristics:

- Depth: 0 — 99% to +7 dBm  
0 — 30% to +10 dBm
- Resolution: 1%
- Rate (internal): 400 Hz and 1 kHz, ±3%

**Keystroke Sequence** Press and release an Internal Source key, the AM Function key, the desired Data keys, and a valid Units key.

**Example**

Select AM with a depth of 75% using the internal 400 Hz source.				
LOCAL (keystrokes)	Source INT 400 Hz	Function AM	Data 7 5	Units %
HP-IB (program codes)	S2AM75PC or % Source ———  Function ———  Data ———  Units ———			

**Keys and Program Codes**



Keys	Program Codes
INT 400 Hz	S2
INT 1 kHz	S3
AM	AM
%	PC or %

**Indications** Selected AM depth will be displayed in the MODULATION Display and the source annunciators (INT AM, 400 Hz, and %) will light.

**Comments** Digits selected beyond the specified resolution for AM depth will be truncated. Leading zeros will be blanked. AM depth Data entries that would cause the peak envelope power of the instrument to exceed +17 dBm are rejected.

AM function will remain selected until:

- a. One of the three remaining functions is selected.
- b. One of the STORE-RECALL-DISPLAY keys is pressed.
- c. The instrument is reset or unplugged.
- d. The External Source key may be selected in place of the Internal Source key.

**Related Instructions** Modulation, AM Up/Down  
Modulation, External Source  
Modulation, Mixed  
Modulation, Off

## Modulation, AM Up/Down

**Description** This instruction details how to change the percentage of AM depth by the value stored in the internal AM depth increment register.

**Keystroke Sequence** Press and release the step up or step down keys associated with the amplitude modulation function.

**Keys and Program Codes**



Keys	Program Codes
AM	AM
▲	UP
▼	DN

**NOTE**

*During remote operation, repeated UP or DN codes can be sent over the bus once the AM function has been selected.*

**Indications** The percentage of AM depth shown in the MODULATION Display and the output of the Signal Generator will change by the value stored in the internal AM depth increment register.

**Comments** Step up and step down keys associated with the amplitude modulation function are used to change the percentage of AM depth by the value stored in the internal AM depth increment register.

Places the instrument in the AM Data entry mode and clears any previously selected function.

Selects default modulation source (internal 1 kHz) if no other source is selected.

Continues to change the percentage of AM depth by the value stored in the internal AM depth increment register if either key remains pressed.

Will automatically stop incrementing when the maximum percentage of AM depth permitted for a selected output amplitude is reached.

Initialized value and limits of the AM depth increment are as follows:

<u>Initialized Value</u>	<u>Minimum Value</u>	<u>Maximum Value</u>
1%	1%	≤99%

**Related Instructions** Increment Value Change  
Increment Value Display

## Modulation, External Source

**Description** This instruction details how to apply an external modulation signal via the front panel MOD INPUT/OUTPUT connector.

**Operating Characteristics:**

Rate (for AM or FM): 25 Hz to 25 kHz; 1 dB bandwidth; ac coupled  
 Input Impedance: 600 ohms (resistive)  
 Input Level: 1 Vpk (0.707 Vrms)

**Keystroke Sequence** Press and release the EXT key to enable the front panel MOD INPUT/OUTPUT connector, then set the signal level of the external modulation source to 1 Vpk (0.707 Vrms) for calibrated internal control of the AM depth or FM peak deviation frequency.

**Keys and Program Codes**



Keys	Program Codes 
EXT	S1
AM	AM
%	PC or %
FM	FM
kHz	KZ

**Indications** The HI EXT annunciator will light if the external modulation signal is greater than 1.02 Vpk (0.721 Vrms) and the LO EXT annunciator will light if the signal is less than 0.98 Vpk (0.693 Vrms).

**NOTE**

*If greater accuracy is required, use a calibrated voltmeter to measure the external modulation signal.*

**Comments** In addition to being able to accept an external modulation signal, the MOD INPUT/OUTPUT connector provides access to the internally generated 400 Hz or 1 kHz signal whenever either is selected and the external modulation source is not selected. Its signal level is 1 Vpk (0.707 Vrms) and it cannot be adjusted by the operator.

**Related Instructions**  
 Modulation, AM  
 Modulation, FM  
 Modulation, Mixed  
 Modulation, Off



# Modulation, FM

**Description**

This instruction details how to select frequency modulation using the internal modulation source.

**Operating Characteristics:**

Peak Deviation:

Carrier Frequency (MHz)	Maximum Peak Deviation	
	Rates ≥60 Hz	Rates <60 Hz
0.1 — 123.5	99 kHz	1600 x Rate
123.5 — 247	25 kHz	400 x Rate
247 — 494	50 kHz	800 x Rate
494 — 990	99 kHz	1600 x Rate

Resolution: 0.1 kHz for peak deviations <10 kHz  
1 kHz for peak deviations ≥10 kHz

Rate (internal): 400 Hz or 1 kHz, ±3%

**Keystroke Sequence**

Press and release an Internal Source key, the FM Function key, the desired Data keys, and a valid Units key.

**Example**

Select FM with a peak deviation frequency of 25 kHz using the internal 400 Hz source.

<b>LOCAL</b> (keystrokes)	
 (program codes)	<p style="text-align: center;"><b>S2FM25KZ</b></p> <p style="text-align: center;">                     Source ———┐                      Function ———┘                      Data ———┘                      Units ———┘                 </p>

**Keys and Program Codes**



Keys	Program Codes
INT 400 Hz	S2
INT 1 kHz	S3
FM	FM
kHz	KZ

**Indications**

Selected FM peak deviation frequency will be displayed in the MODULATION Display and the source annunciators (INT FM, 400 Hz, and 1 kHz) will light.

**Comments**

Digits selected beyond the specified resolution for FM peak deviation will be truncated.  
Leading zeros will be blanked.

## Modulation, FM (Cont'd)

**Comments  
(Cont'd)**

FM peak deviation Data entries that would be out of range for the selected carrier frequency are rejected.

The MODULATION Display will flash if a change in carrier frequency would cause the FM peak deviation frequency allowed for that frequency band to be exceeded. Entering a carrier frequency that would set the instrument in the correct band for the selected deviation frequency will clear the error condition, or pressing one of the following keys will automatically adjust the FM peak deviation frequency to the maximum frequency possible for that frequency band.

Band	Carrier Frequency MHz
1	0.1 — 123.5
2	123.5 — 247
3	247 — 494
4	494 — 990



FM function will remain selected until:

- a. One of the three remaining functions is selected.
- b. One of the STORE-RECALL-DISPLAY keys is pressed.
- c. The instrument is reset or unplugged.
- d. The External Source key may be selected in place of the Internal Source key.

**Related  
Instructions**

- Modulation, FM Up/Down
- Modulation, External Source
- Modulation, Mixed
- Modulation, Off

## Modulation, FM Up/Down

**Description** This instruction details how to change the FM peak deviation frequency by the value stored in the internal FM peak deviation frequency increment register.

**Keystroke Sequence** Press and release the step up or step down keys associated with the frequency modulation function.

**Keys and Program Codes**



Keys	Program Codes
FM ▲ ▼	FM UP DN

**NOTE**

*During remote operation, repeated UP or DN codes can be sent over the bus once the FM function has been selected.*

**Indications** The FM peak deviation frequency shown in the MODULATION Display and the output of the Signal Generator will change by the value stored in the internal FM peak deviation frequency increment register.

**Comments** Step up and step down keys associated with the frequency modulation function are used to change the FM peak deviation frequency by the value stored in the internal FM peak deviation frequency increment register.

Places the instrument in the FM Data entry mode and clears any previously selected function.

Selects default modulation source (internal 1 kHz) if no other source is selected.

Continues to change the FM peak deviation frequency by the value stored in the internal FM peak deviation frequency increment register if either key remains pressed.

Will automatically stop incrementing when the maximum FM peak deviation frequency permitted for a selected carrier frequency is reached.

If an out of range condition exists (MODULATION Display flashing), pressing either the step up or step down (or FM) key will automatically select the maximum FM peak deviation frequency permitted for the currently selected carrier frequency.

Initialized value and limits of the FM peak deviation frequency are as follows:

<u>Initialized Value</u>	<u>Minimum Value</u>	<u>Maximum Value</u>
1.0 kHz	0.1 kHz	≤99 kHz

**Related Instructions** Increment Value Change  
Increment Value Display

# Modulation, Mixed

## Description


These instructions detail the selection of mixed modulation. Modulation can be selected in one of four ways.

1. Simultaneous AM and FM may be selected using common or separate modulation sources (rate).
2. Simultaneous AM or FM at two rates may be selected by using internal and external modulation sources. Only one AM depth or one FM deviation can be selected.
3. Three simultaneous modulation signals, AM and FM using a common source (rate) and either AM or FM from a separate source, may be selected.
4. Four simultaneous modulation signals, two AM and two FM, may be selected. Each AM/FM pair must have a common modulation source (rate). Only one AM depth and one FM deviation can be selected.

## Keystroke Sequence 1

To select simultaneous AM and FM, press and release the Source key to provide the desired AM rate, the AM Function key, the desired Data keys and the % Units key. Then press and release the Source key to provide the desired FM rate, the FM Function key, the desired Data keys and the kHz Units key. (The Source key need not be pressed for FM if the AM and FM rate is the same.)

## Example 1

Simultaneously select AM with a depth of 70% and FM with a peak deviation frequency of 3 kHz using the internal 400 Hz source, and an external 1 kHz source respectively.																												
<b>LOCAL</b> (keystrokes)	Source INT 400 Hz EXT	Function AM FM	Data 7 0 3	Units % kHz																								
 (program codes)	<table style="margin: auto;"> <tr> <td colspan="4" style="text-align: center;"><b>S2AM70PC or %</b></td> </tr> <tr> <td style="text-align: center;">Source</td> <td style="text-align: center;">Function</td> <td style="text-align: center;">Data</td> <td style="text-align: center;">Units</td> </tr> <tr> <td style="text-align: center;"> </td> <td style="text-align: center;"> </td> <td style="text-align: center;"> </td> <td style="text-align: center;"> </td> </tr> <tr> <td colspan="4" style="text-align: center;"><b>S1FM3KZ</b></td> </tr> <tr> <td style="text-align: center;">Source</td> <td style="text-align: center;">Function</td> <td style="text-align: center;">Data</td> <td style="text-align: center;">Units</td> </tr> <tr> <td style="text-align: center;"> </td> <td style="text-align: center;"> </td> <td style="text-align: center;"> </td> <td style="text-align: center;"> </td> </tr> </table>				<b>S2AM70PC or %</b>				Source	Function	Data	Units					<b>S1FM3KZ</b>				Source	Function	Data	Units				
<b>S2AM70PC or %</b>																												
Source	Function	Data	Units																									
<b>S1FM3KZ</b>																												
Source	Function	Data	Units																									

## Keystroke Sequence 2

To select simultaneous AM or FM, press and release the desired Source key, the desired Function key, the desired Data keys and a valid Units key. Then press and release the other Source key and the same Function key that was selected previously.

## Modulation, Mixed (Cont'd)

### Example 2

Select FM with a peak deviation frequency of 5 kHz using both an internal 1 kHz modulation source and an external 150 Hz modulation source.				
LOCAL (keystrokes)	Source	Function	Data	Units
	INT 1 kHz	FM	5	kHz
	EXT	FM		
HP-IB (program codes)	<p>S3FM5KZ</p> <p>Source      Function      Data      Units</p> <p>S1FM</p> <p>Source      Function</p>			

### Keystroke Sequence 3

To select three simultaneous modulation signals, AM and FM using a common source (rate) and AM or FM from a separate source, press and release the Source key to provide the common AM and FM rate. Then press a Function key, the desired Data keys and the valid Units key. Press the other Function key, the desired Data keys and the valid Units key. Press and release the other Source key, the appropriate Function key, the desired Data keys and the valid Units key.

### Example 3


Simultaneously select AM with a depth of 90% and FM with a peak deviation frequency of 25 kHz using the internal 400 Hz source, and AM with a depth of 90% using an external 6 kHz modulation source.				
LOCAL (keystrokes)	Source	Function	Data	Units
	INT 400 Hz	AM	9 0	%
		FM	2 5	kHz
	EXT	AM		
HP-IB (program codes)	<p>S2AM90PC or %</p> <p>Source      Function      Data      Units</p> <p>FM25KZ</p> <p>Function      Data      Units</p> <p>S1AM</p> <p>Source      Function</p>			

## Modulation, Mixed (Cont'd)

**Keystroke Sequence 4**

To select four simultaneous modulation signals, press and release the appropriate Source key, a Function key, the desired Data keys and the valid Units key. Press and release the other Function key, the desired Data keys and valid Units key. Press and release the other Source key, and then both Function keys.

**Example 4**

Simultaneously select AM with a depth of 10% and FM with a peak deviation of 50 kHz using the internal 1 kHz modulation source. AM and FM with the same depth and deviation as selected previously are also selected using an external 5 kHz source.																																													
LOCAL (keystrokes)	<table border="0"> <tr> <td style="text-align: center;">← Source →</td> <td style="text-align: center;">← Function →</td> <td style="text-align: center;">← Data →</td> <td style="text-align: center;">← Units →</td> </tr> <tr> <td style="text-align: center;">INT 1 kHz</td> <td style="text-align: center;">AM</td> <td style="text-align: center;">1 0</td> <td style="text-align: center;">%</td> </tr> <tr> <td></td> <td style="text-align: center;">FM</td> <td style="text-align: center;">5 0</td> <td style="text-align: center;">kHz</td> </tr> <tr> <td style="text-align: center;">EXT</td> <td style="text-align: center;">AM</td> <td></td> <td></td> </tr> <tr> <td></td> <td style="text-align: center;">FM</td> <td></td> <td></td> </tr> </table>	← Source →	← Function →	← Data →	← Units →	INT 1 kHz	AM	1 0	%		FM	5 0	kHz	EXT	AM				FM																										
← Source →	← Function →	← Data →	← Units →																																										
INT 1 kHz	AM	1 0	%																																										
	FM	5 0	kHz																																										
EXT	AM																																												
	FM																																												
 (program codes)	<table border="0"> <tr> <td colspan="4" style="text-align: center;"><b>S3AM10PC or %</b></td> </tr> <tr> <td style="text-align: center;">Source</td> <td style="text-align: center;">Function</td> <td style="text-align: center;">Data</td> <td style="text-align: center;">Units</td> </tr> <tr> <td colspan="4" style="text-align: center;"> <table border="0"> <tr> <td colspan="4" style="text-align: center;"><b>FM50KZ</b></td> </tr> <tr> <td style="text-align: center;">Function</td> <td style="text-align: center;">Data</td> <td colspan="2" style="text-align: center;">Units</td> </tr> </table> </td> </tr> <tr> <td colspan="4" style="text-align: center;"> <table border="0"> <tr> <td colspan="4" style="text-align: center;"><b>S1AM</b></td> </tr> <tr> <td style="text-align: center;">Source</td> <td colspan="2" style="text-align: center;">Function</td> <td></td> </tr> </table> </td> </tr> <tr> <td colspan="4" style="text-align: center;"> <table border="0"> <tr> <td colspan="4" style="text-align: center;"><b>FM</b></td> </tr> <tr> <td style="text-align: center;">Function</td> <td colspan="3"></td> </tr> </table> </td> </tr> </table>	<b>S3AM10PC or %</b>				Source	Function	Data	Units	<table border="0"> <tr> <td colspan="4" style="text-align: center;"><b>FM50KZ</b></td> </tr> <tr> <td style="text-align: center;">Function</td> <td style="text-align: center;">Data</td> <td colspan="2" style="text-align: center;">Units</td> </tr> </table>				<b>FM50KZ</b>				Function	Data	Units		<table border="0"> <tr> <td colspan="4" style="text-align: center;"><b>S1AM</b></td> </tr> <tr> <td style="text-align: center;">Source</td> <td colspan="2" style="text-align: center;">Function</td> <td></td> </tr> </table>				<b>S1AM</b>				Source	Function			<table border="0"> <tr> <td colspan="4" style="text-align: center;"><b>FM</b></td> </tr> <tr> <td style="text-align: center;">Function</td> <td colspan="3"></td> </tr> </table>				<b>FM</b>				Function			
<b>S3AM10PC or %</b>																																													
Source	Function	Data	Units																																										
<table border="0"> <tr> <td colspan="4" style="text-align: center;"><b>FM50KZ</b></td> </tr> <tr> <td style="text-align: center;">Function</td> <td style="text-align: center;">Data</td> <td colspan="2" style="text-align: center;">Units</td> </tr> </table>				<b>FM50KZ</b>				Function	Data	Units																																			
<b>FM50KZ</b>																																													
Function	Data	Units																																											
<table border="0"> <tr> <td colspan="4" style="text-align: center;"><b>S1AM</b></td> </tr> <tr> <td style="text-align: center;">Source</td> <td colspan="2" style="text-align: center;">Function</td> <td></td> </tr> </table>				<b>S1AM</b>				Source	Function																																				
<b>S1AM</b>																																													
Source	Function																																												
<table border="0"> <tr> <td colspan="4" style="text-align: center;"><b>FM</b></td> </tr> <tr> <td style="text-align: center;">Function</td> <td colspan="3"></td> </tr> </table>				<b>FM</b>				Function																																					
<b>FM</b>																																													
Function																																													

## Modulation, Mixed (Cont'd)

**Keys and Program Codes**



Keys	Program Codes
AM	AM
FM	FM
EXT	S1
INT 400 Hz	S2
INT 1 kHz	S3

**Indications**

The last selected AM depth or FM peak deviation frequency will be displayed in the MODULATION Display and the source annunciators will light. In the case where an external modulation source is used, the HI EXT and LO EXT annunciators will also light until the signal level of the external source has been adjusted to 1 Vpk (0.707 Vrms) ±5%.

**Comments**

Digits selected beyond the specified resolution for AM depth or FM peak deviation will be truncated.

Leading zeros will be blanked.

AM depth Data entries that would cause the peak envelope power of the instrument to exceed +17 dBm are rejected.

FM peak deviation Data entries that would be out of range for the selected carrier frequency are rejected.

The MODULATION Display will flash if a change in carrier frequency would cause the FM peak deviation frequency allowed for that frequency band to be exceeded. Entering a carrier frequency that would set the instrument in the correct band for the selected deviation frequency will clear the error condition, or pressing one of the following keys will automatically adjust the FM peak deviation frequency to the maximum frequency possible for that frequency band.

Band	Carrier Frequency MHz
1	0.1 — 123.5
2	123.5 — 247
3	247 — 494
4	494 — 990



AM or FM function will remain selected until:

- a. One of the three remaining functions is selected.
- b. One of the STORE-RECALL-DISPLAY keys is pressed.
- c. The instrument is reset or unplugged.

Setting the level of the external modulation source is described under Modulation, External Source.

**Related Instructions**

- Modulation, AM
- Modulation, AM Up/Down
- Modulation, External Source
- Modulation, FM
- Modulation, FM Up/Down
- Modulation, OFF

# Modulation, OFF

**Description**




This instruction details how to selectively turn off the AM or FM function. In addition, it details how to selectively turn off a modulation source.





**Keystroke Sequences**

To turn off a modulation function (AM or FM), press and release the associated Function key, then the OFF key.

To turn off a modulation source, press and release the associated Function key, Source key, then the OFF key.


**Examples**

Selectively turn off AM modulation function with only one modulation source in use.	
LOCAL (keystrokes)	<div style="display: flex; justify-content: space-around; align-items: center;"> <div style="text-align: center;"> <p>Function</p>  </div> <div style="text-align: center;"> <p>Source</p>  </div> </div>
 (program codes)	<div style="text-align: center;"> <p>AMS4</p> <div style="display: flex; justify-content: space-around;"> <p>Function</p> <p>Source</p> </div> </div>

Selectively turn off internal 400 Hz source.	
LOCAL (keystrokes)	<div style="display: flex; justify-content: space-around; align-items: center;"> <div style="text-align: center;"> <p>Function</p>  </div> <div style="text-align: center;"> <p>Source</p> <div style="display: flex; justify-content: space-between; width: 100%;">   </div> </div> </div>
 (program codes)	<div style="text-align: center;"> <p>AMS2S4</p> <div style="display: flex; justify-content: space-around;"> <p>Function</p> <p>Source</p> </div> </div>

**Keys and Program Codes**



Keys	Program Codes 
AM	AM
FM	FM
EXT	S1
INT 400 Hz	S2
INT 1 kHz	S3
OFF	S4

**Indications**

The current MODULATION Display will be blanked or the modulation source (including its annunciator) will be turned off when the OFF key is pressed.



## Modulation, OFF (Cont'd)

**Comments**

Currently selected modulation function (AM or FM) will be turned off when the OFF key is pressed provided only one source (internal 400 Hz or 1 kHz or external) has been selected for use.

If more than one source has been selected, then a Source key (INT 400 Hz, INT 1 kHz, or EXT) has to be pressed before the OFF key is pressed. In this case, the currently selected modulation function will remain selected and only the chosen source (including its annunciator) will be turned off.

If both modulation functions are simultaneously selected and share the same source, then only the currently selected modulation function will be turned off when the OFF key is pressed and the MODULATION Display will be restored to show the modulation parameters of the remaining function.

**Related  
Instructions**

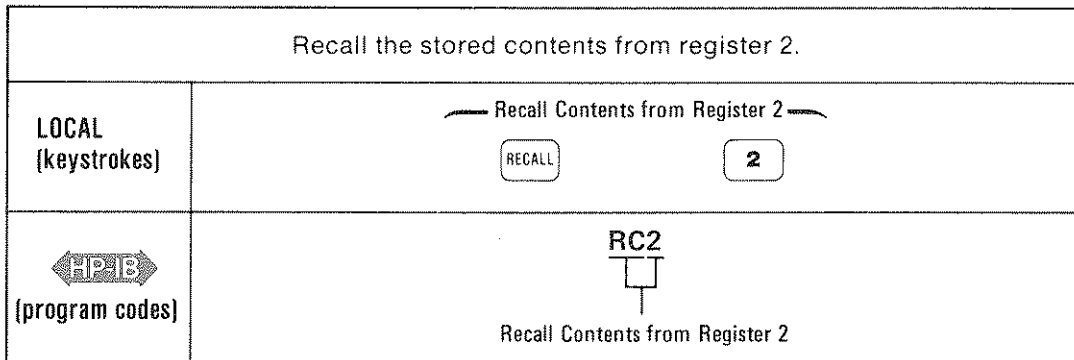
Modulation, AM Up/Down  
Modulation, FM Up/Down  
Modulation, External Source  
Modulation, Mixed

# Recall

**Description** This instruction details how to selectively recall the stored contents from an internal storage register.


**Keystroke Sequence** Press and release the RECALL key, then a Data key (a single digit register number 0—9).

**Example**



**Keys and Program Codes**



Keys	Program Codes
RECALL	 RC

**Indications** The stored contents from the selected register will be recalled and the output of the Signal Generator will be changed so that it agrees with the recalled parameter values.

**Comments** Ten internal registers are available (0—9). Each is capable of storing complete front panel setups (exclusive of increment settings).

Clears any previously selected function.

Updates the contents of the internal sequence counter so that it agrees with the numerical location of the recalled register.

Does not affect the current increment settings.

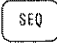

**Related Instructions** Display  
Store  
Sequence

# Sequence

**Description** This instruction details how to sequentially recall the stored contents from each of the internal storage registers.


**Keystroke Sequence** Press and release the SEQ key.

**Example**

Sequentially recall the stored contents from each of the internal storage registers.	
<b>LOCAL</b> (keystrokes)	
 (program codes)	<p style="margin: 0;"><b>SQ</b></p> <p style="margin: 0;">↓</p> <p style="margin: 0;">Recall Contents from Next Sequential Storage Register</p>

**Keys and Program Codes**



Keys	Program Codes
SEQ	 SQ

**Indications** The stored contents from each internal storage register will be recalled and the output of the Signal Generator will be changed so that it agrees with the recalled parameter values.

**Comments** Ten internal registers are available (0—9). Each is capable of storing complete front panel setups (exclusive of increment settings).

Does not clear any previously selected function.

Updates the contents of the internal sequence counter so that it agrees with the numerical location of the recalled register.

Does not affect the current increment settings.

Remote sequence operation is permitted through an external switch closure connected at the rear panel SEQ connector J5.

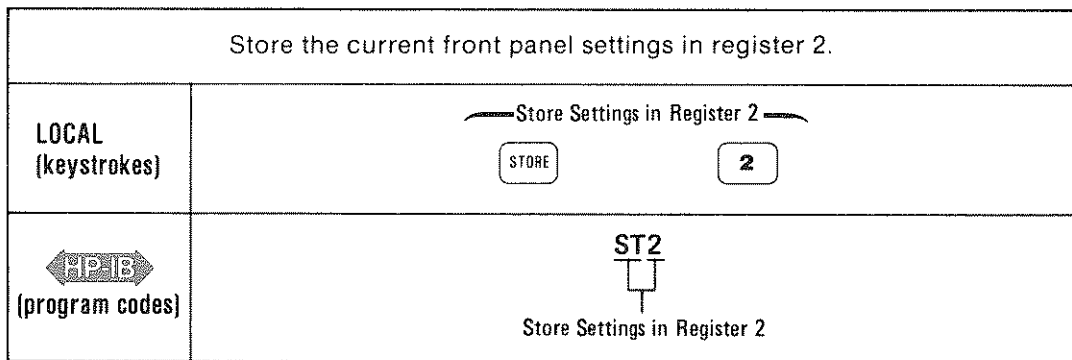
**Related Instructions**  
 Display  
 Display Sequence  
 Recall  
 Store

# Store

**Description** This instruction details how to store complete front panel setups (exclusive of increment settings) for either selectable or sequential recall or display at a later time.


**Keystroke Sequence** Press and release the STORE key, then a Data key (a single digit register number 0—9).

**Example**



**Keys and Program Codes**



Keys	Program Codes 
STORE	ST

**Indications** No visible front panel change.

**Comments** Ten internal registers are available (0—9). Each is capable of storing complete front panel setups (exclusive of increment settings).

Clears any previously selected function.

Initialized conditions of the Signal Generator are stored in each of the ten internal storage registers when the instrument is powered up or reset.

**Related Instructions** Display  
Recall  
Sequence

